

Oldcastle BuildingEnvelope™

803 Airport Rd Terrell, TX 75160
(972) 551-6100

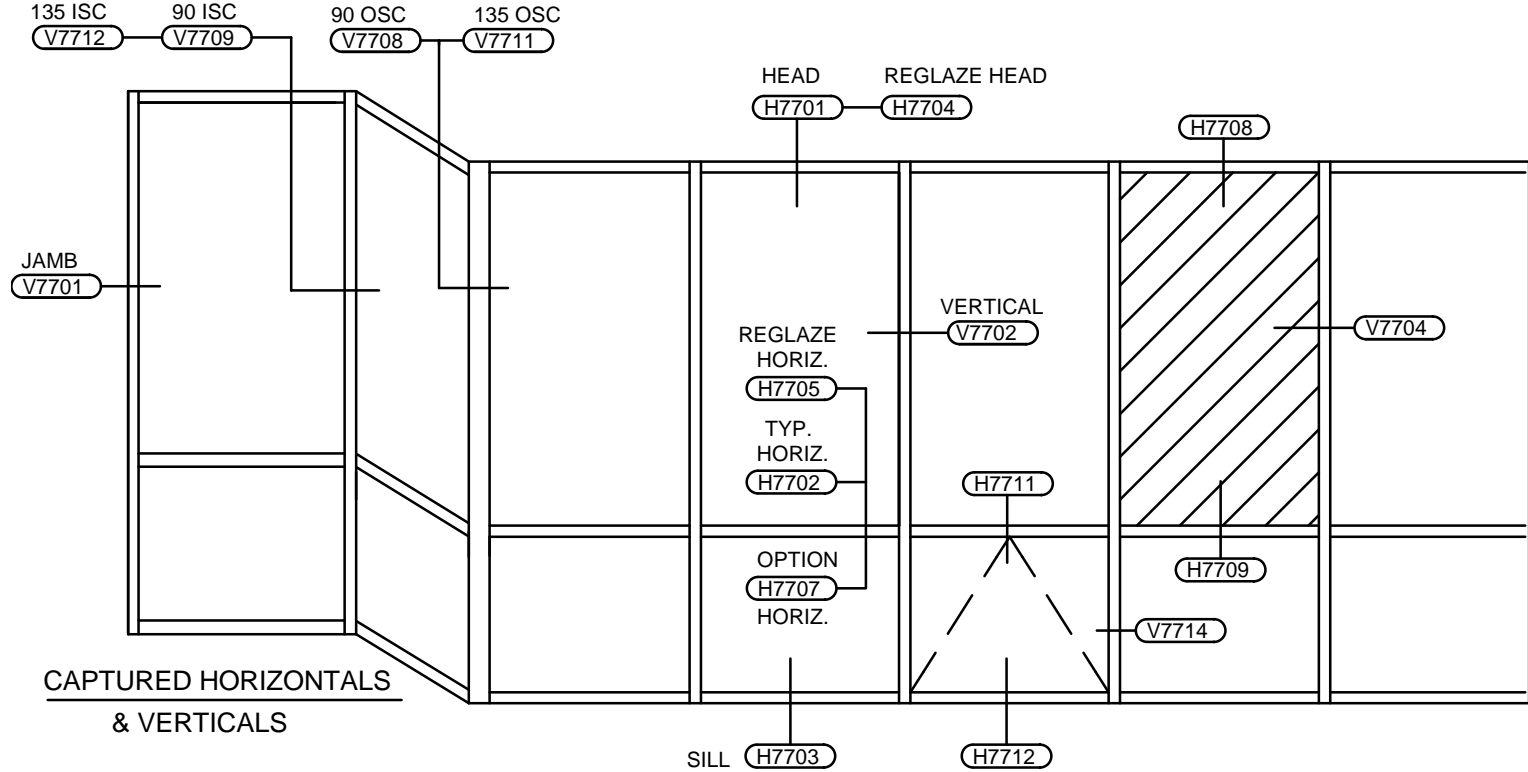
Window Wall - ICR-225 Isolator Clip System-A - 2 1/4" x 4 1/2"

Table of Contents

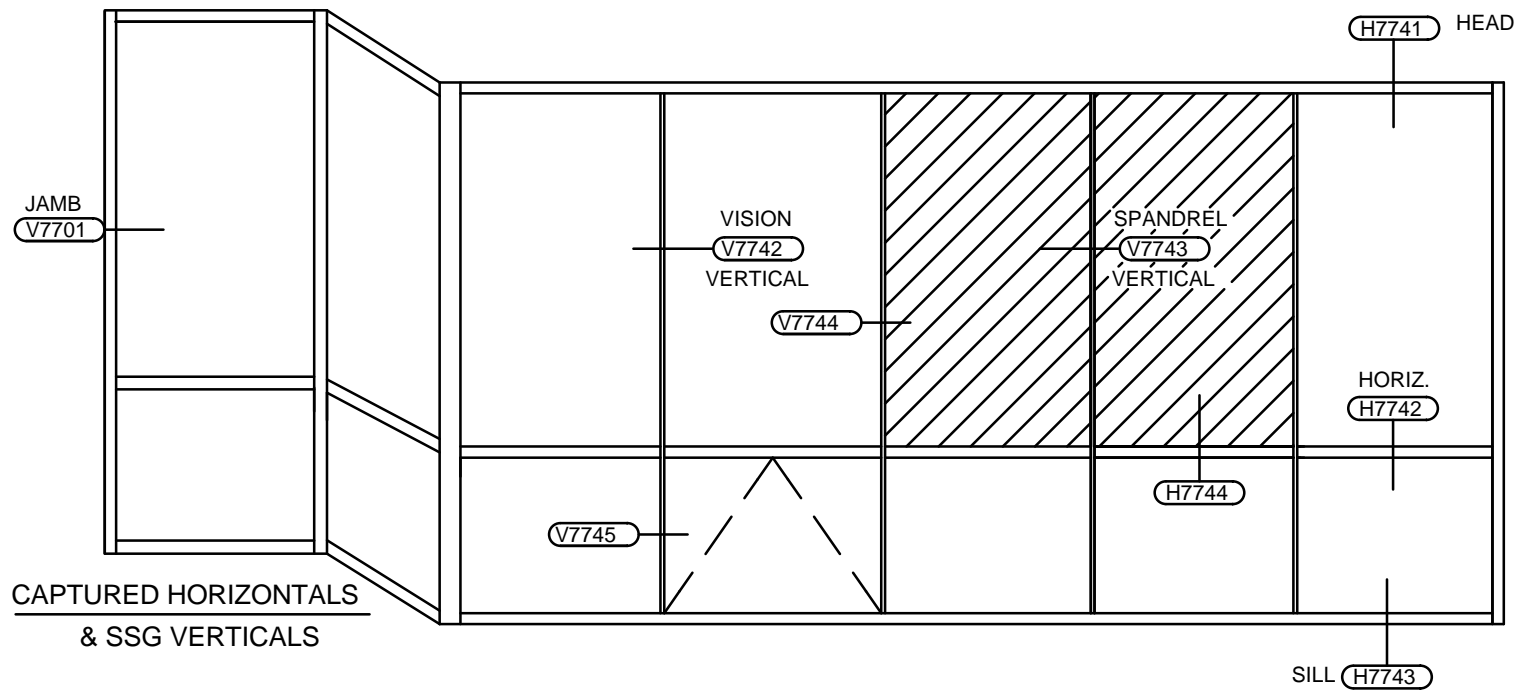
(Drawing numbers ie H7701 used as CAD detail reference only)

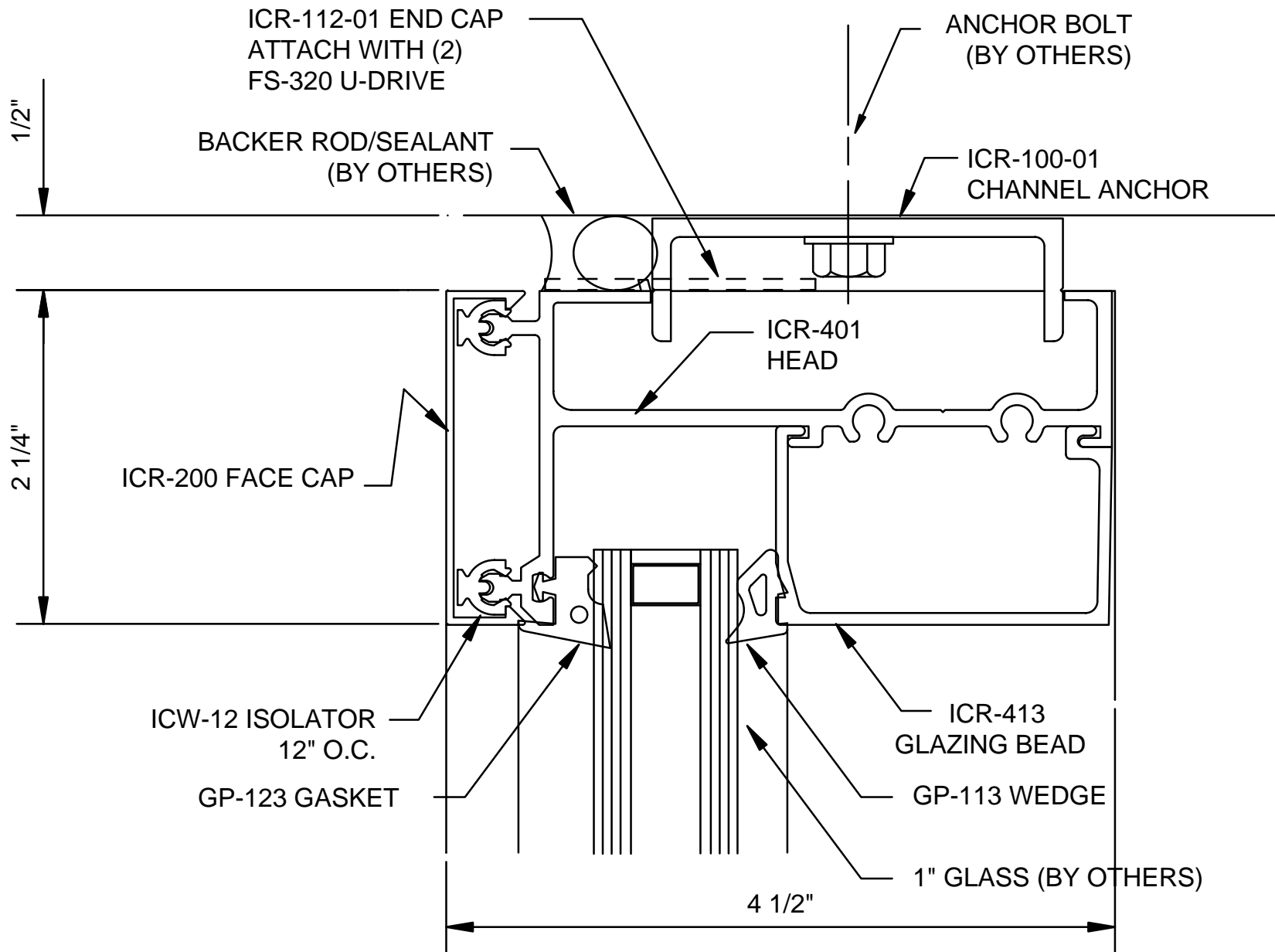
Elev-ICR225-System-A-450in-Wall
H7701-Head Horizontal
H7702-Intermediate Horizontal
H7703-Sill Horizontal
H7704-Reglazed Head
H7705-Reglazed Horizontal
H7707-Intermediate Horizontal
H7708-Head Horizontal
H7709-Intermediate Horizontal
H7711-Horiz at Operable Window
H7712-Sill at Operable Window
H7741-Head Horizontal
H7742-Intermediate Horizontal
H7743-Siill Horizontal
H7744-Intermediate Horizontal

V7701-Jamb Mullion
V7702-Vertical Mullion
V7704-Vertical Mullion
V7708-90 Outside Corner
V7709-90 Intside Corner
V7711-135 Outside Corner
V7712-135 Inside Corner
V7714-Vert at Operable Window
V7742-SSG Vertical Mullion
V7743-SSG Vertical Mullion
V7744-SSG Vertical Mullion
V7745-SSG Vert at Operable Window



MODEL: ELEV-ICR225-SYSTEM-A-4in-WALL
ICR-225 SYSTEM A 2 1/4" X 4" WINDOW WALL

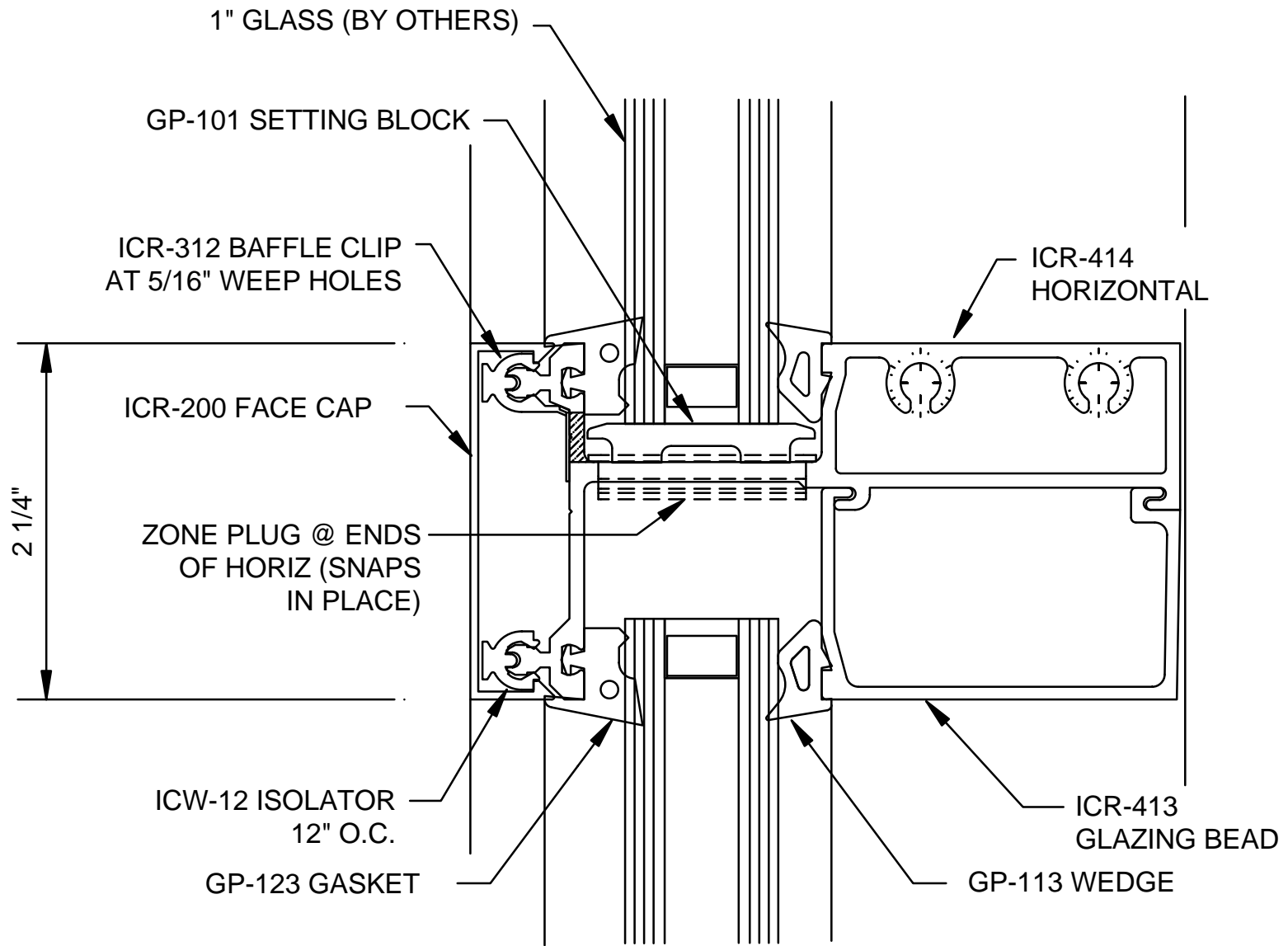




ICR-225 - Window Wall - Head Horizontal

Oldcastle BuildingEnvelope™ - Terrell, Texas - 972-551-6100

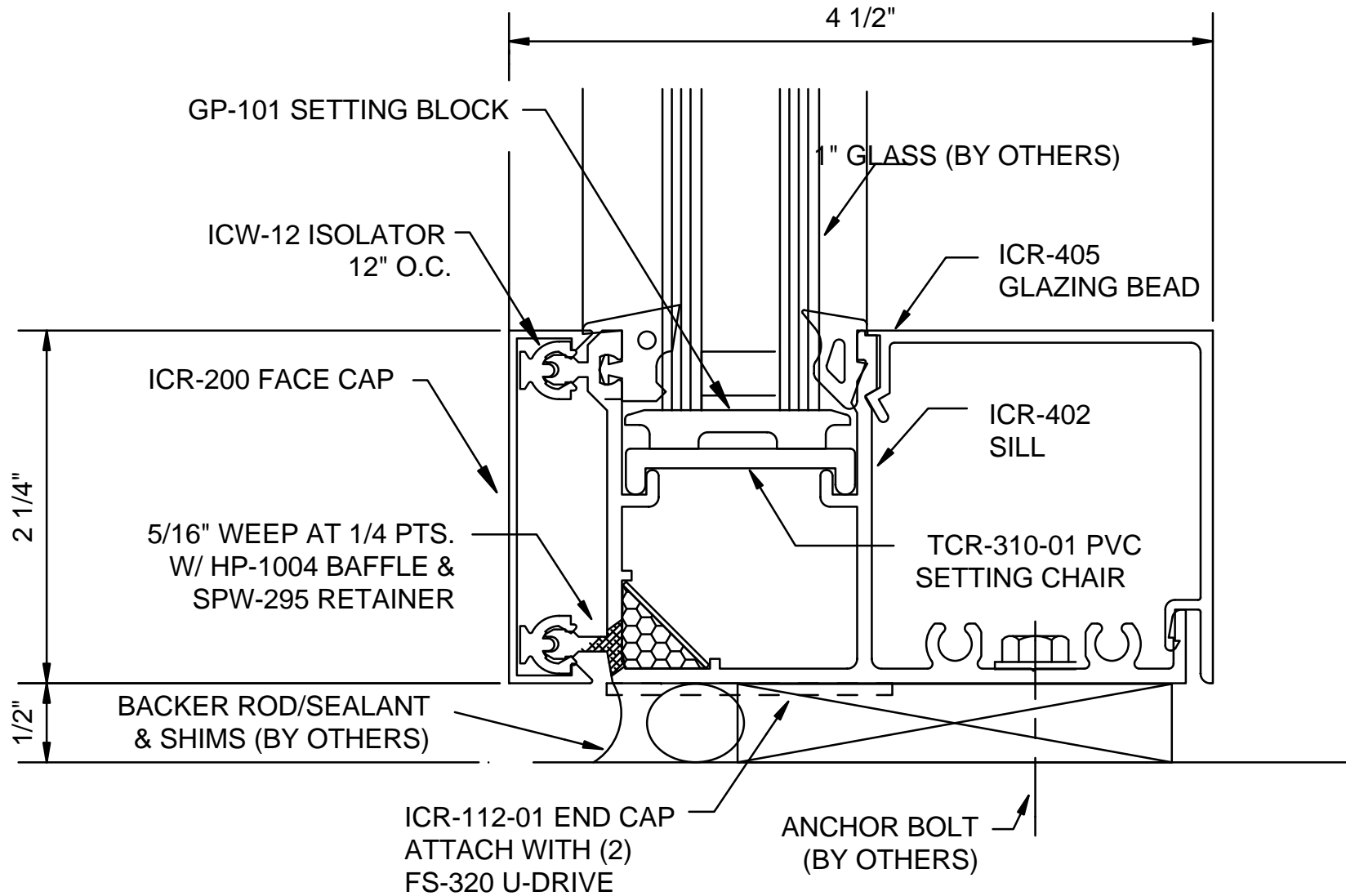
H7701



ICR-225 - Window Wall - Intermediate Horizontal

Oldcastle BuildingEnvelope™ - Terrell, Texas - 972-551-6100

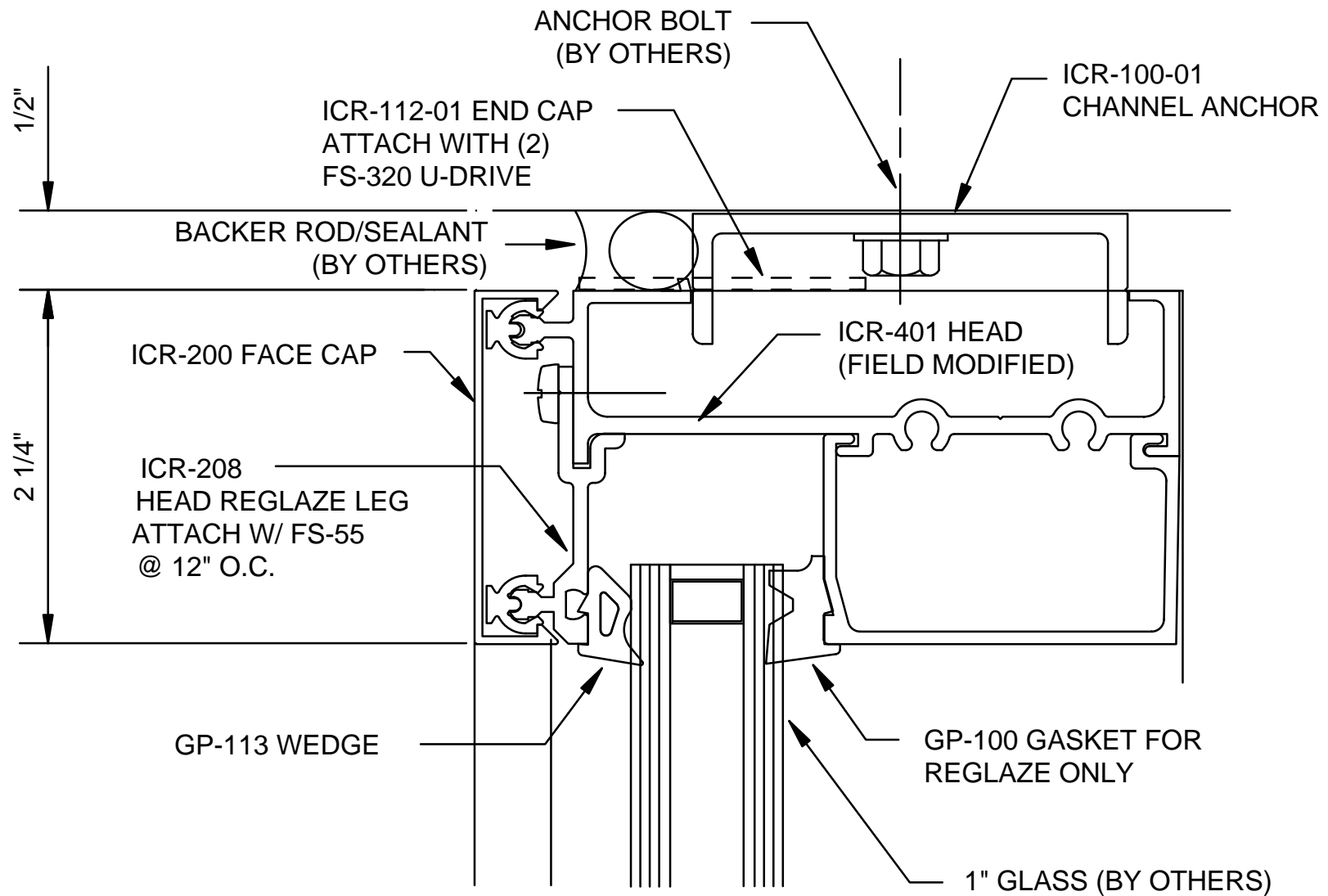
H7702



ICR-225 - Window Wall - Sill Horizontal

Oldcastle BuildingEnvelope™ - Terrell, Texas - 972-551-6100

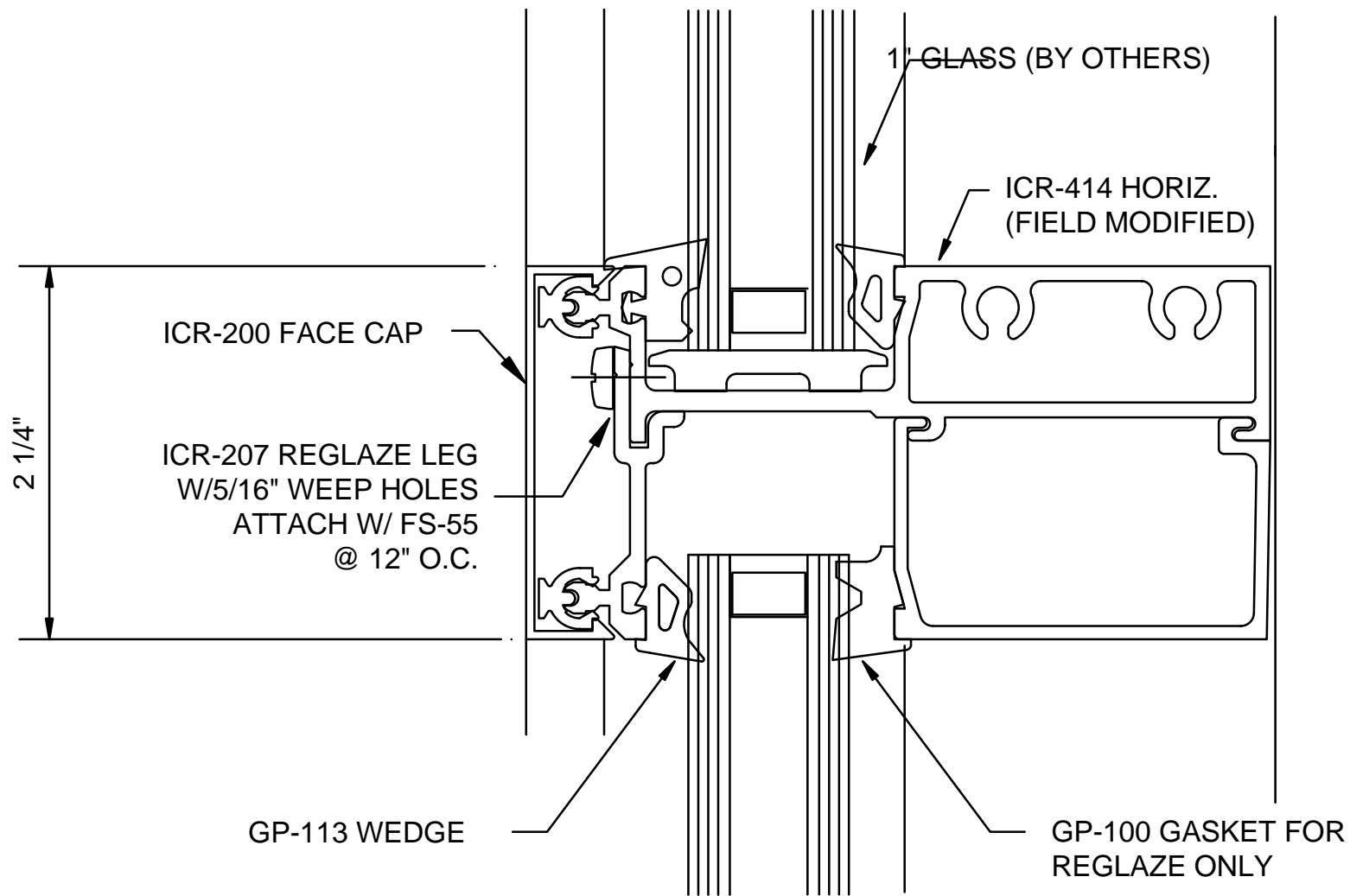
H7703



ICR-225 - Window Wall - Reglazed Head

Oldcastle BuildingEnvelope™ - Terrell, Texas - 972-551-6100

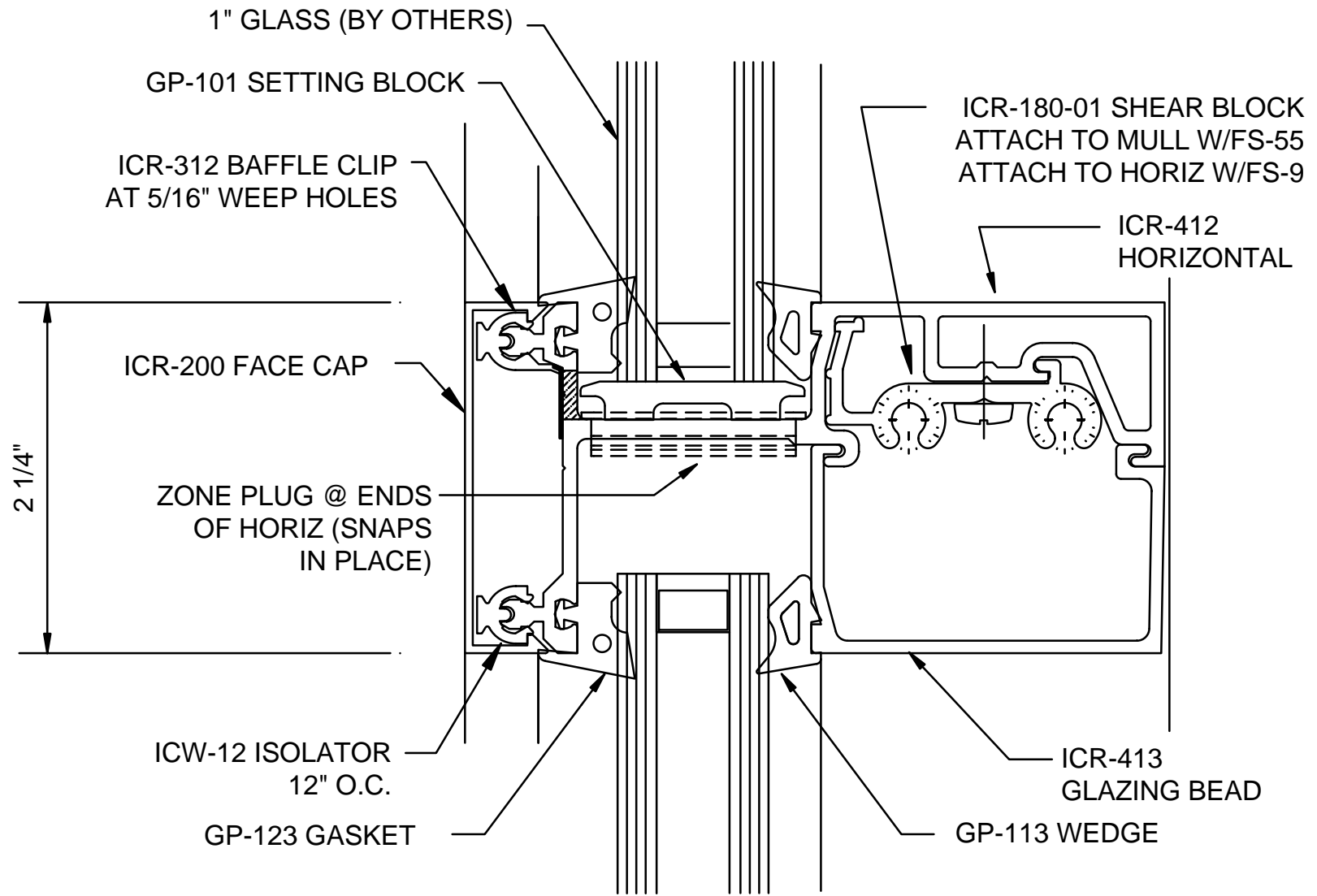
H7704



ICR-225 - Window Wall - Reglazed Horizontal

Oldcastle BuildingEnvelope™ - Terrell, Texas - 972-551-6100

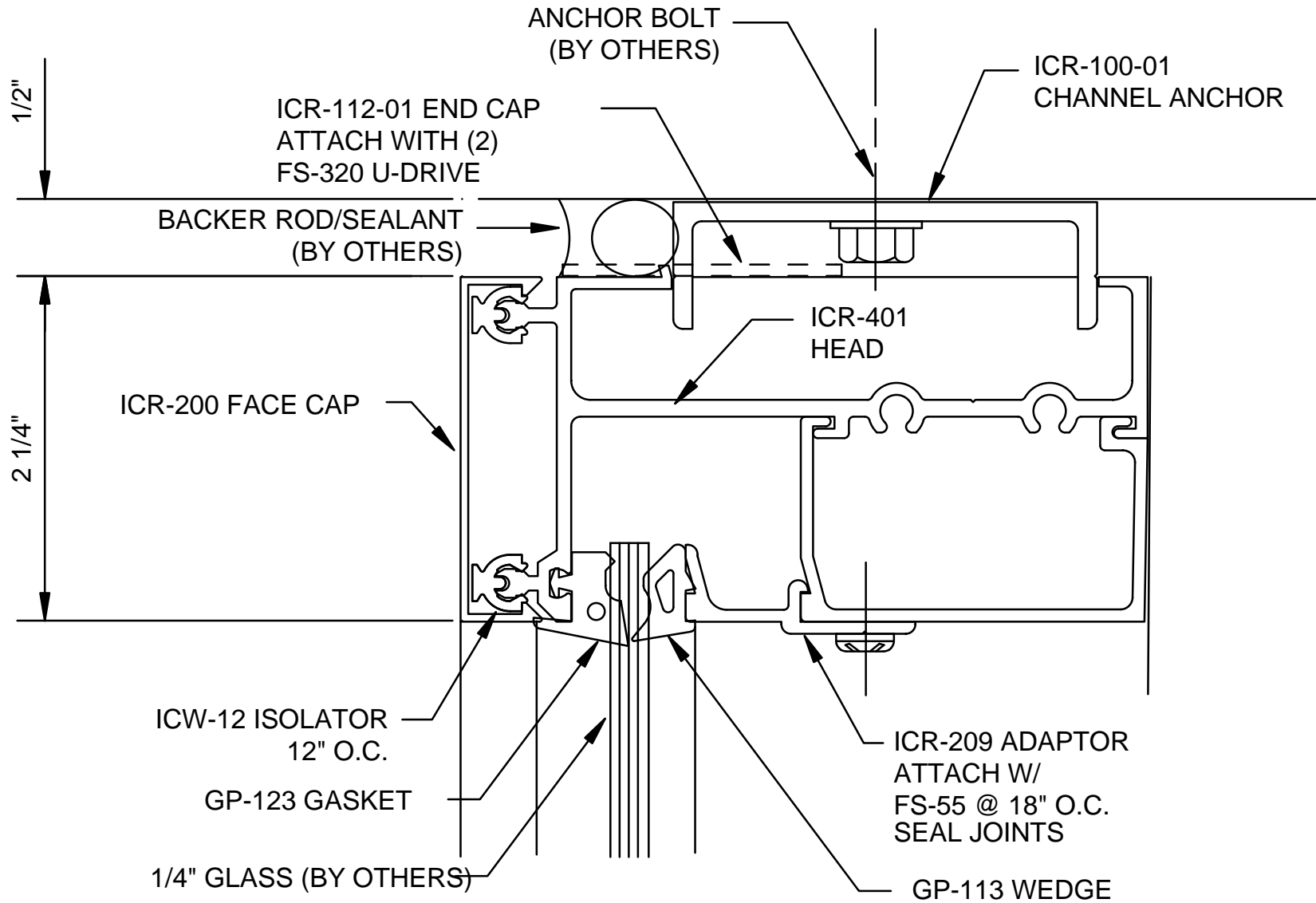
H7705



ICR-225 - Window Wall - Intermediate Horizontal

Oldcastle BuildingEnvelope™ - Terrell, Texas - 972-551-6100

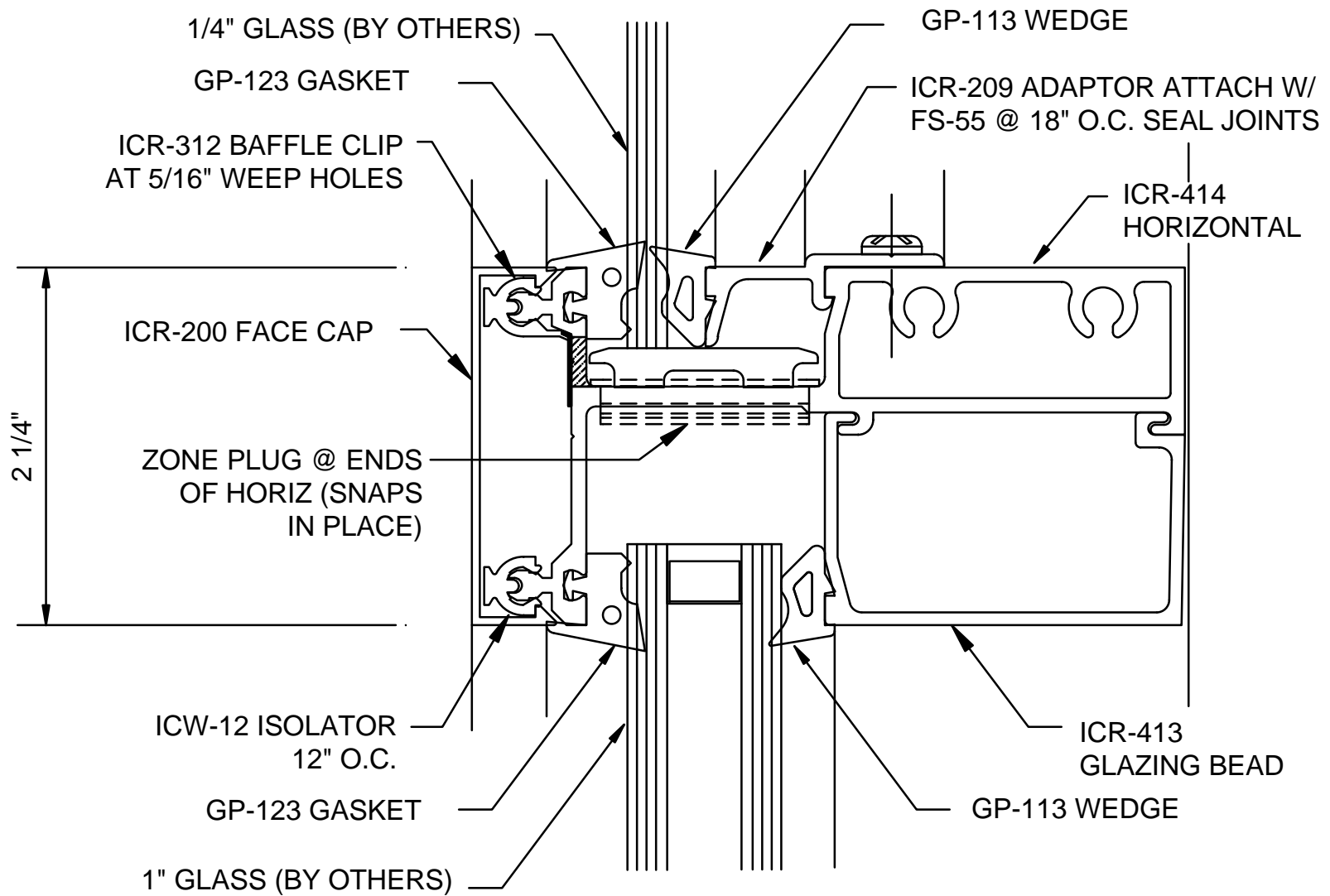
H7707



ICR-225 - Window Wall - Head Horizontal

Oldcastle BuildingEnvelope™ - Terrell, Texas - 972-551-6100

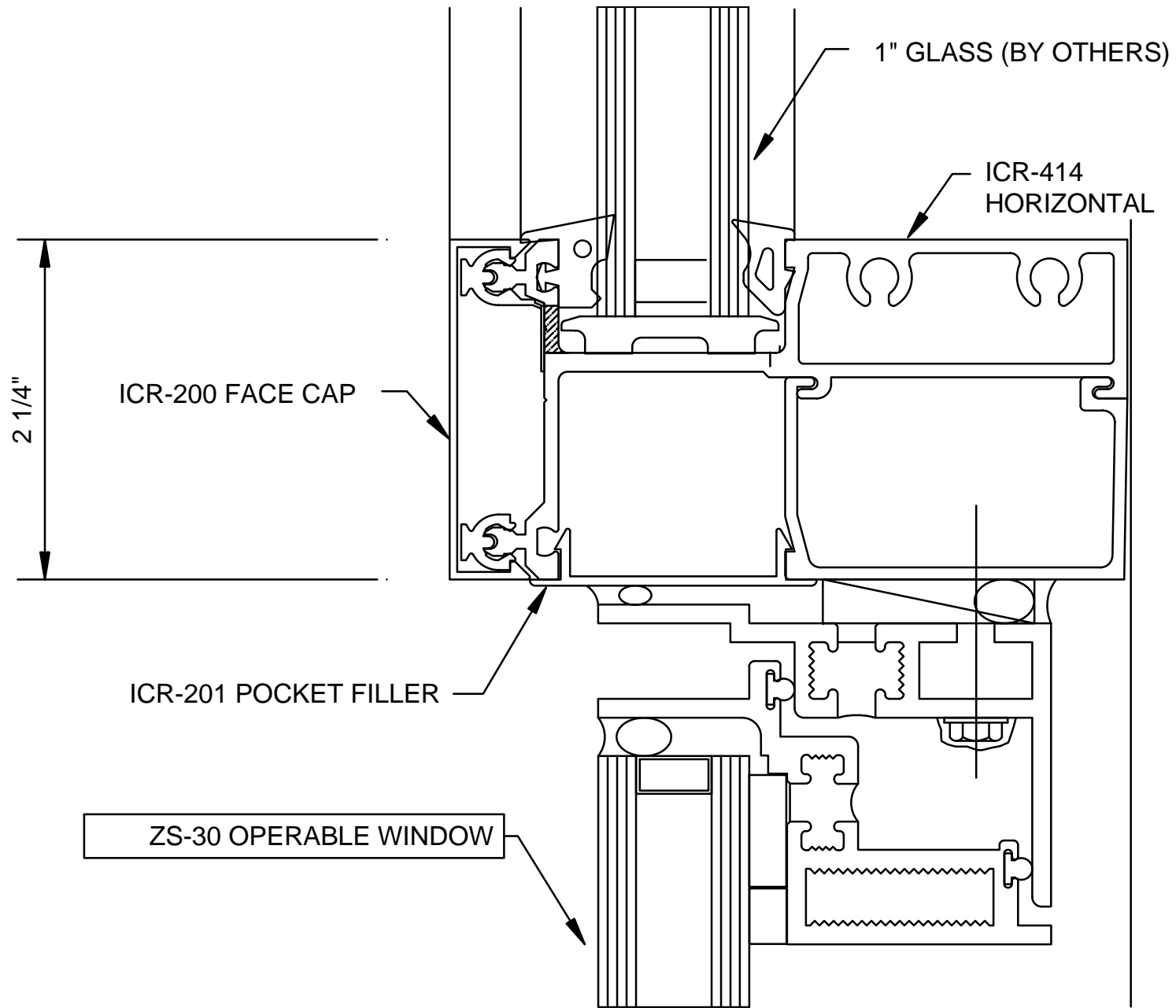
H7708



ICR-225 - Window Wall - Intermediate Horizontal

Oldcastle BuildingEnvelope™ - Terrell, Texas - 972-551-6100

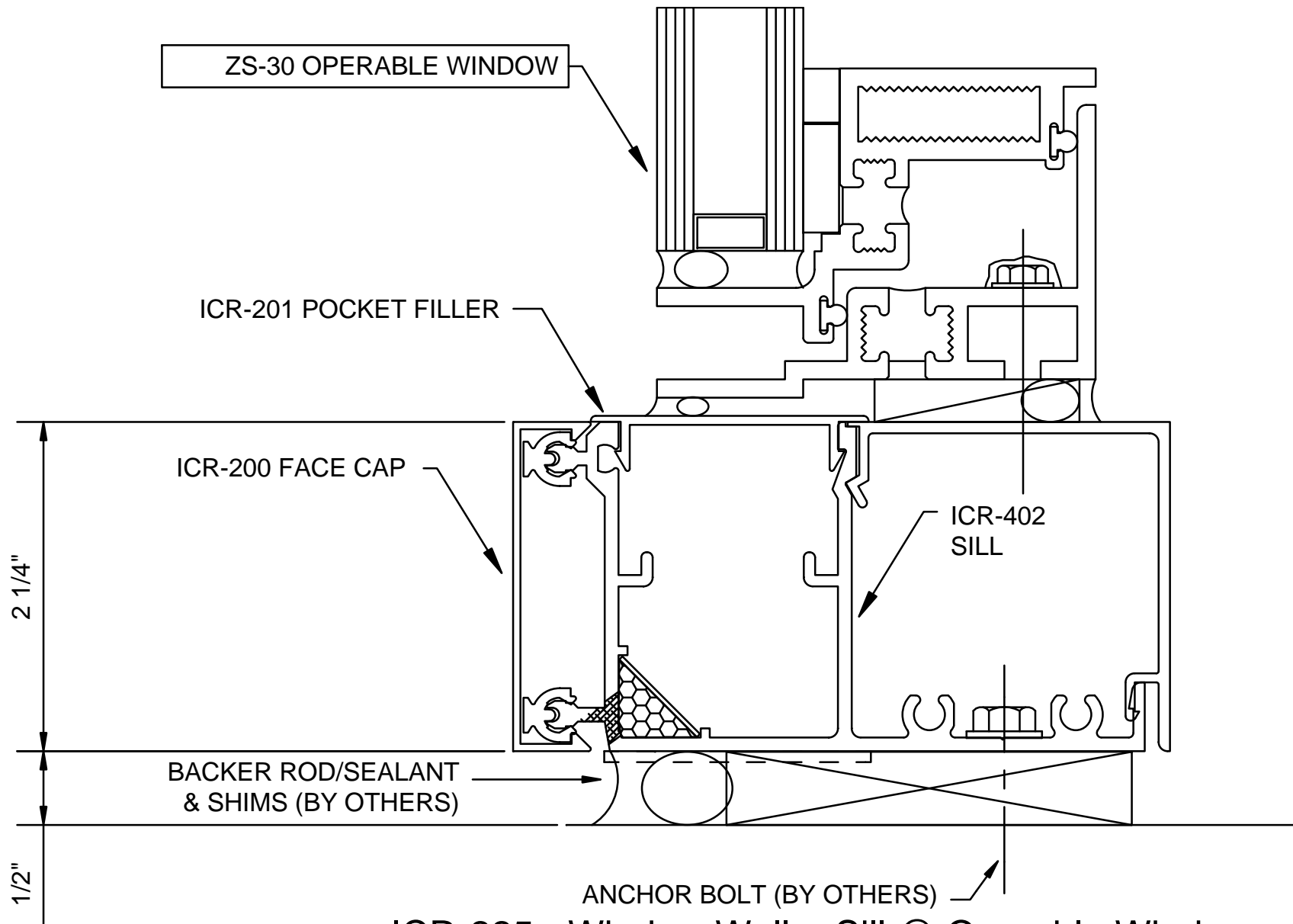
H7709



ICR-225 - Window Wall - Horz @ Operable Window

Oldcastle BuildingEnvelope™ - Terrell, Texas - 972-551-6100

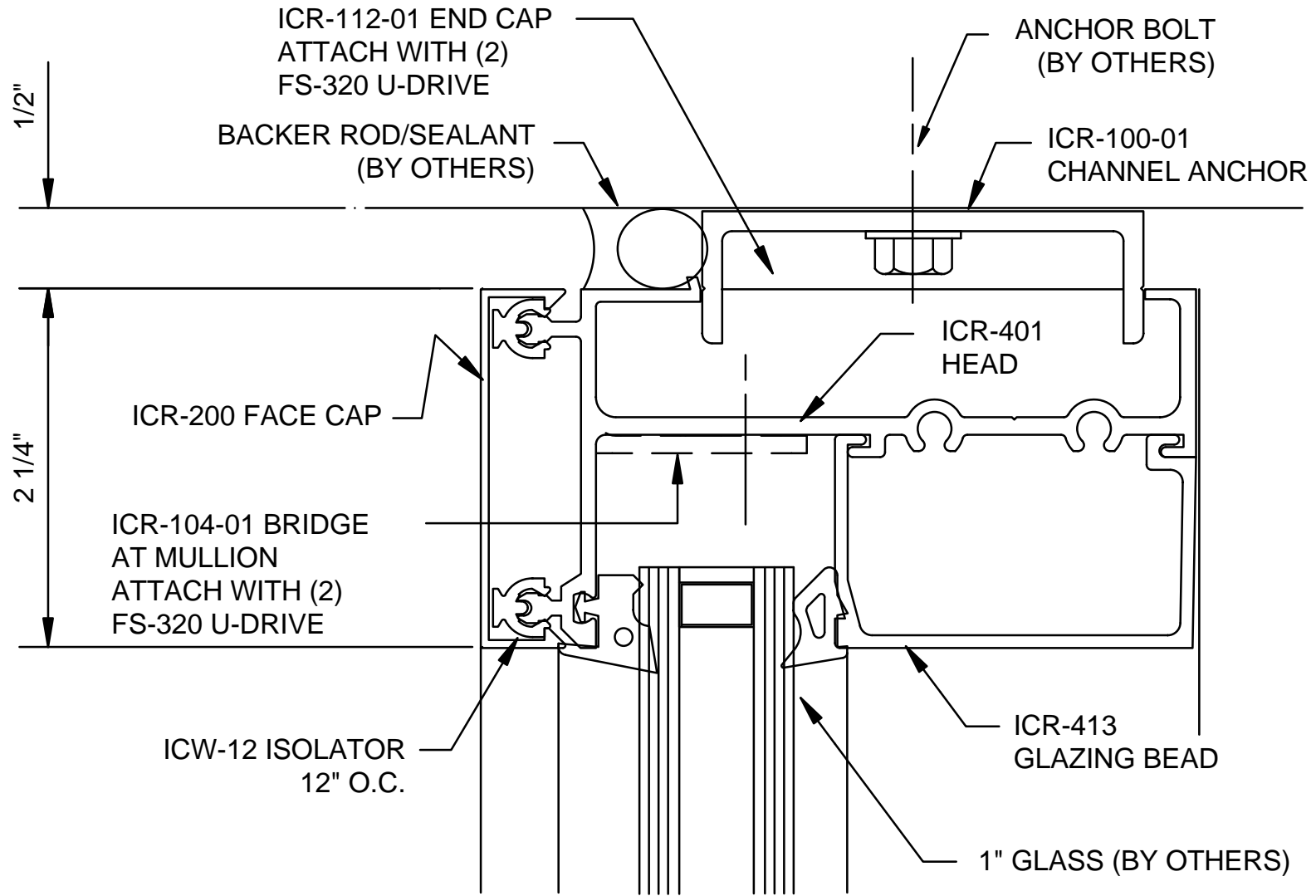
H7711



ICR-225 - Window Wall - Sill @ Operable Window

Oldcastle BuildingEnvelope™ - Terrell, Texas - 972-551-6100

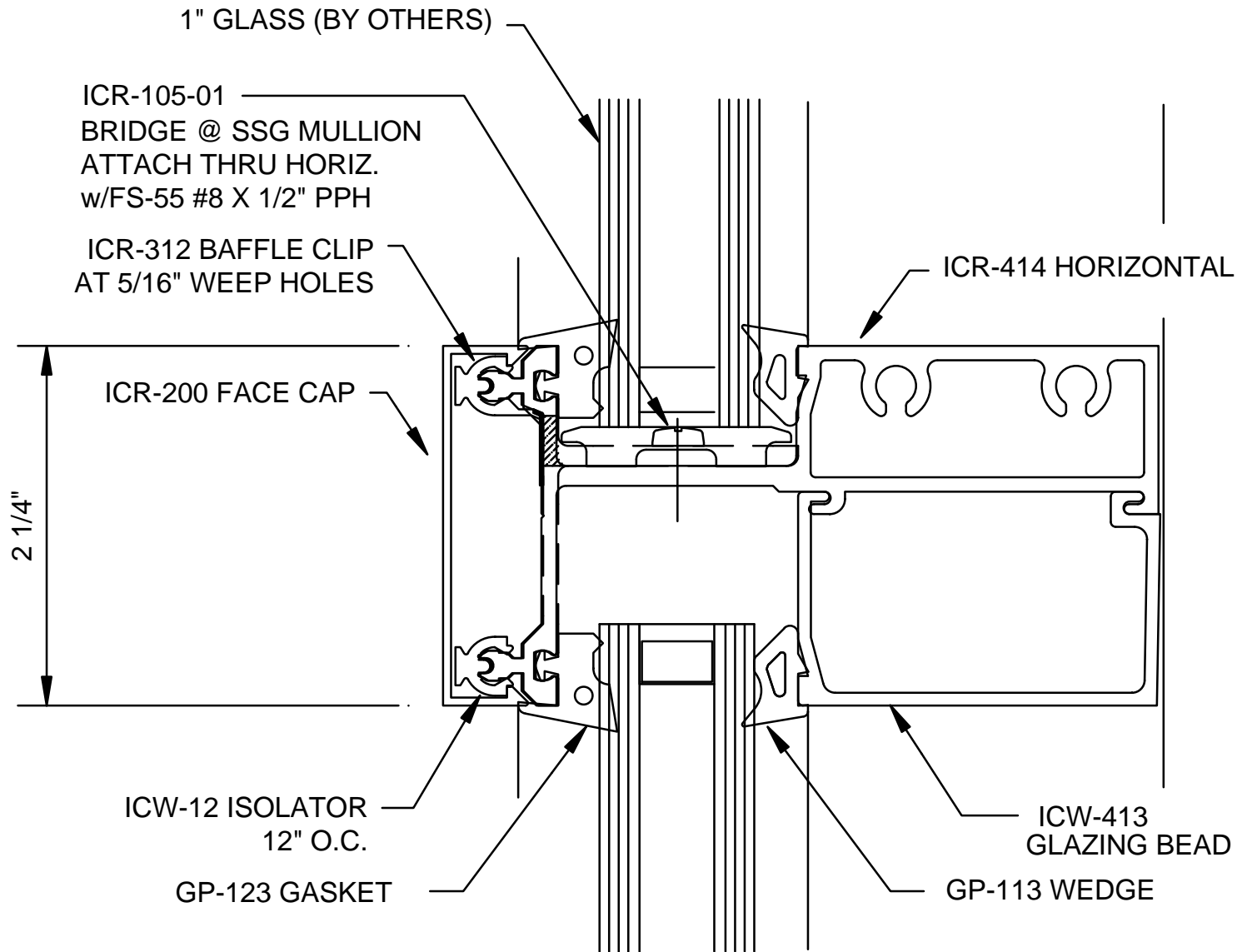
H7712



ICR-225 - Window Wall - Head Horizontal

Oldcastle BuildingEnvelope™ - Terrell, Texas - 972-551-6100

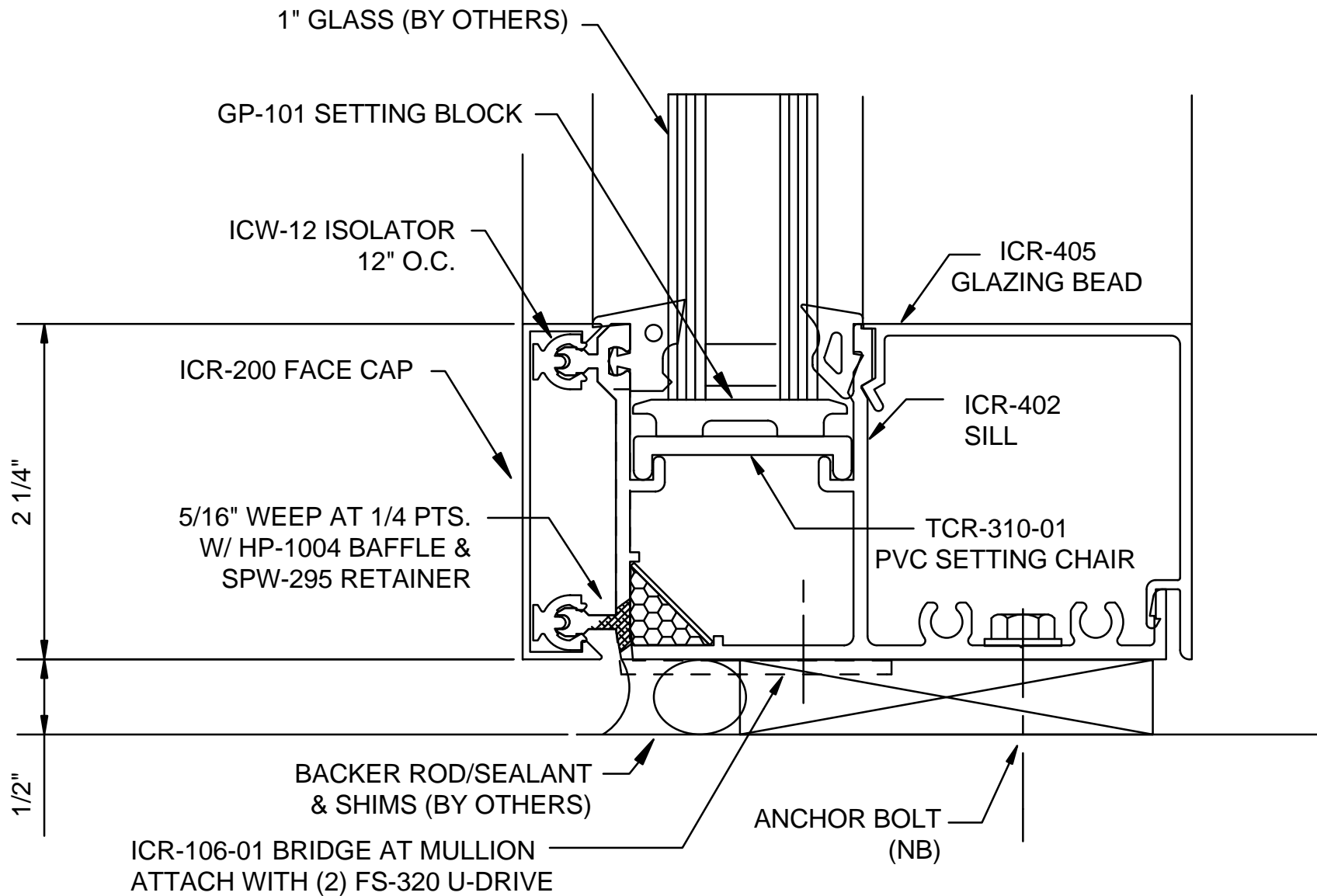
H7741



ICR-225 - Window Wall - Intermediate Horizontal

Oldcastle BuildingEnvelope™ - Terrell, Texas - 972-551-6100

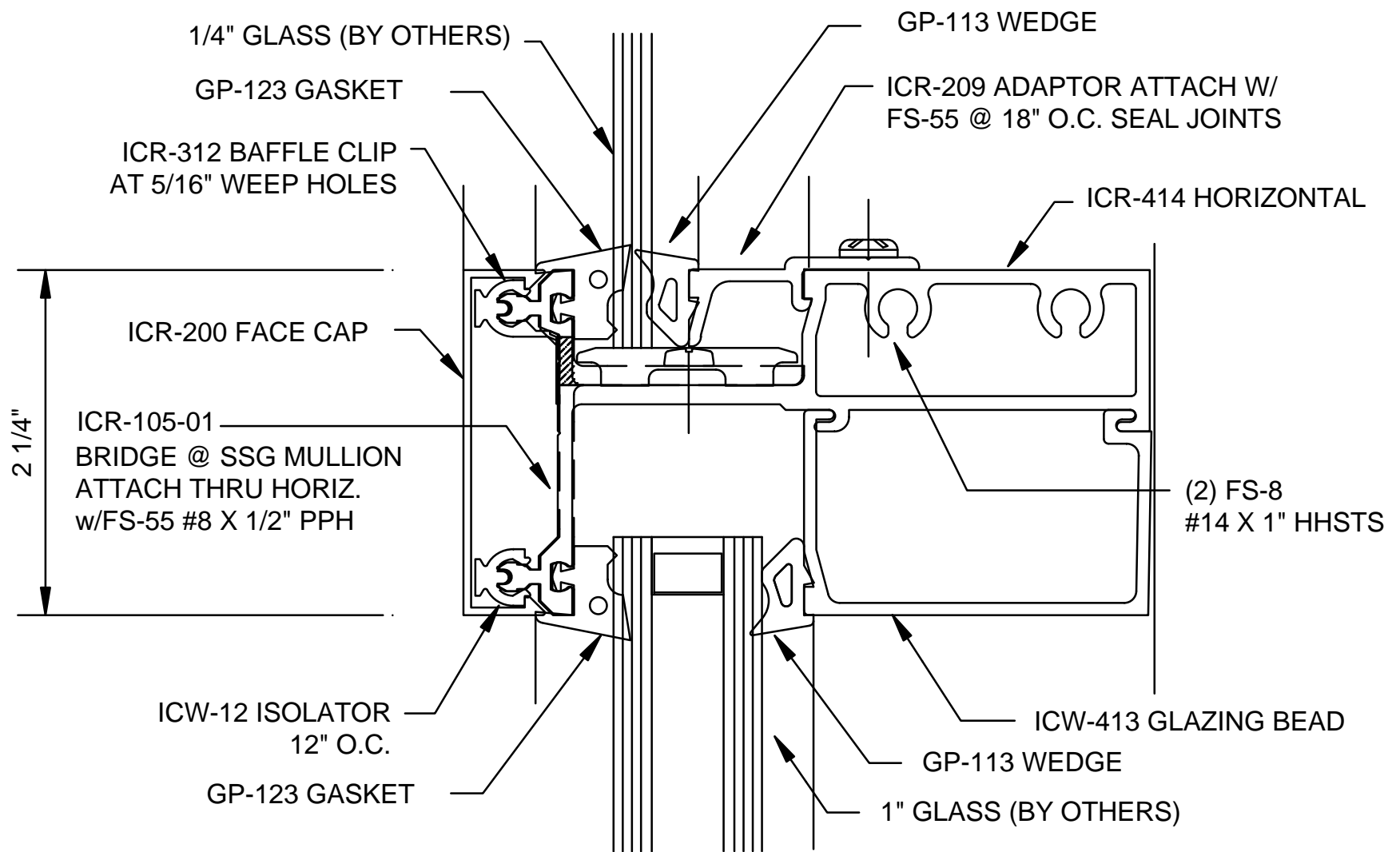
H7742



ICR-225 - Window Wall - Sill Horizontal

Oldcastle BuildingEnvelope™ - Terrell, Texas - 972-551-6100

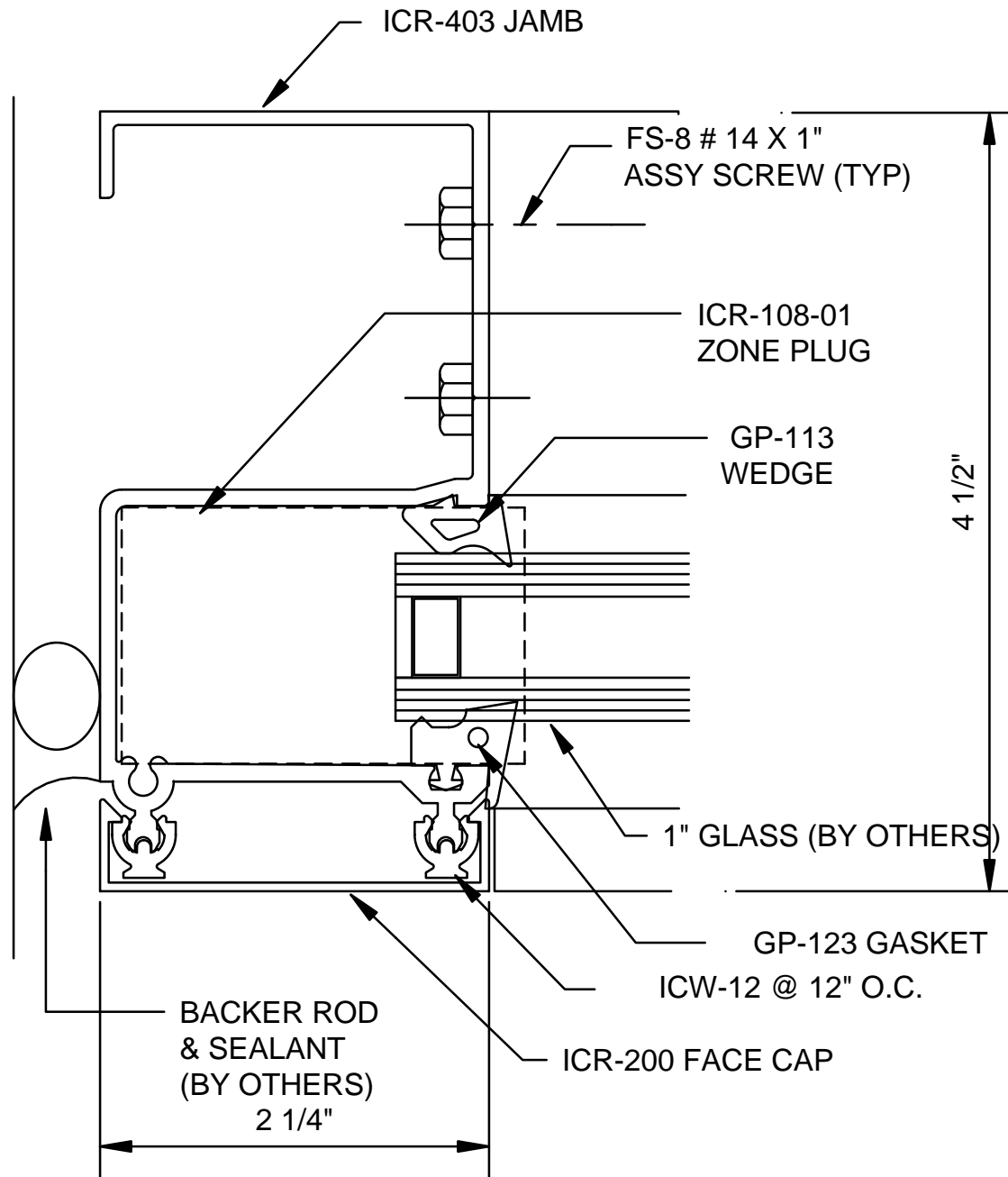
H7743



ICR-225 - Window Wall - Intermediate Horizontal

Oldcastle BuildingEnvelope™ - Terrell, Texas - 972-551-6100

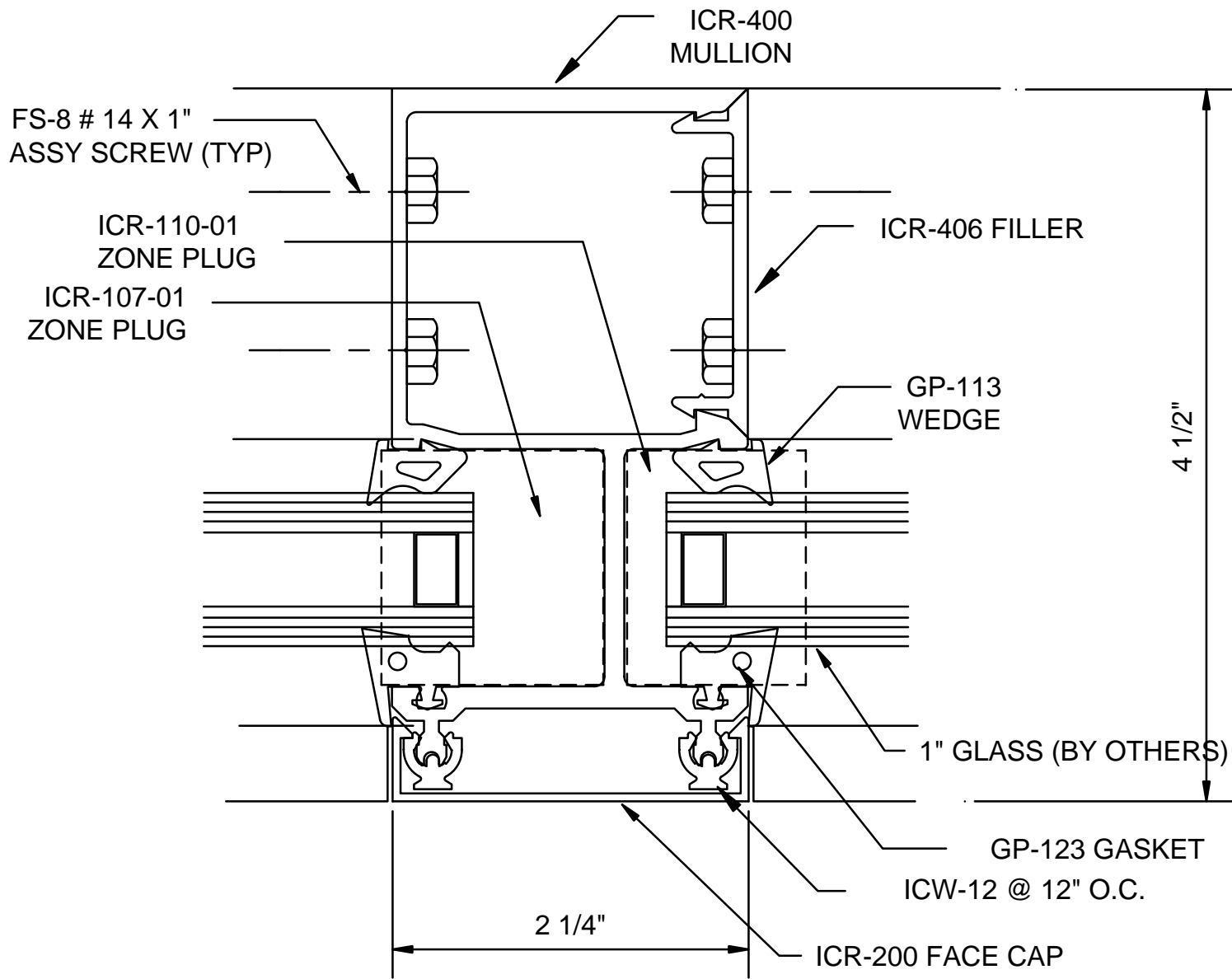
H7744



ICR-225 - Window Wall - Jamb Vertical

Oldcastle BuildingEnvelope™ - Terrell, Texas - 972-551-6100

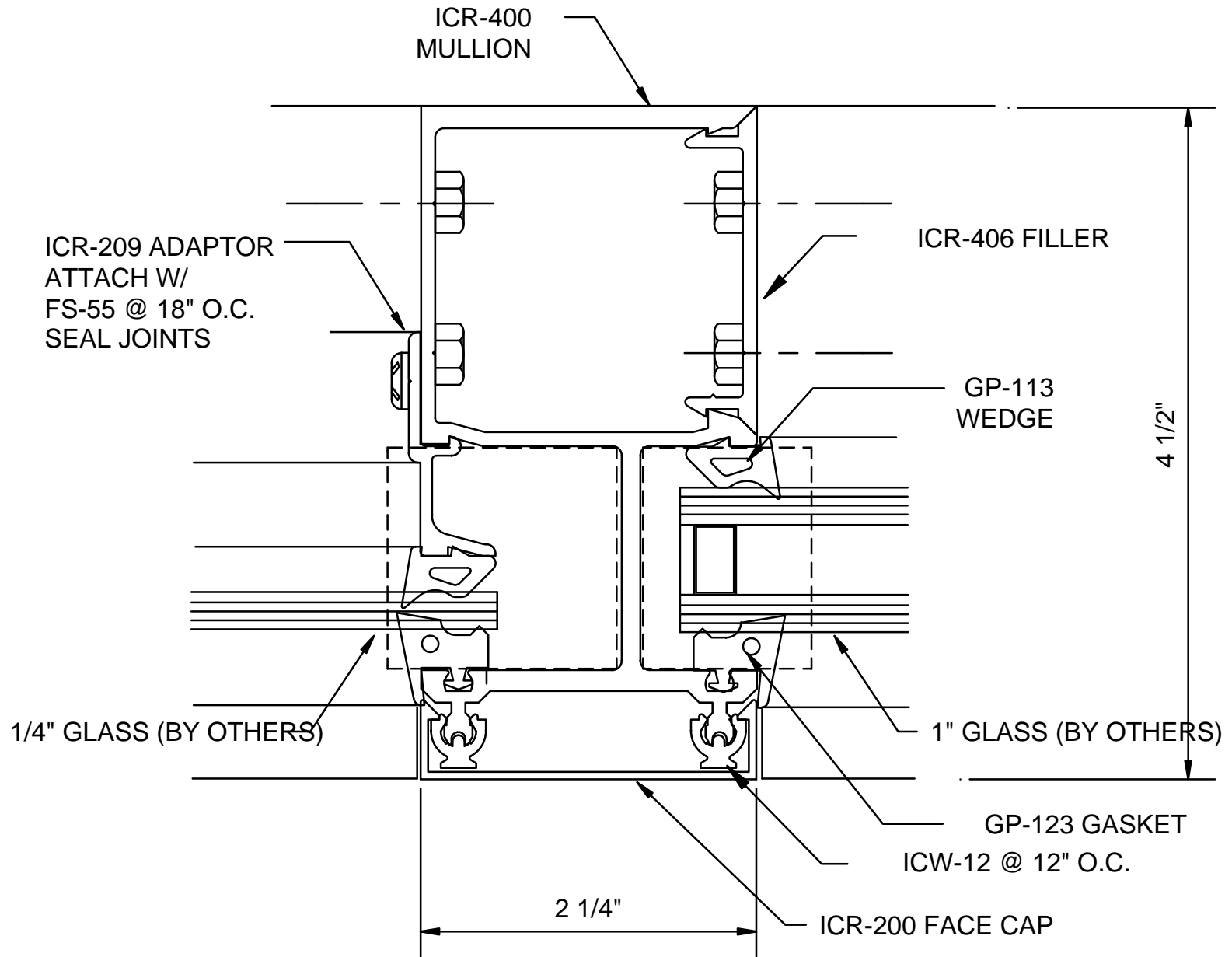
V7701



ICR-225 - Window Wall - Vertical Mullion

Oldcastle BuildingEnvelope™ - Terrell, Texas - 972-551-6100

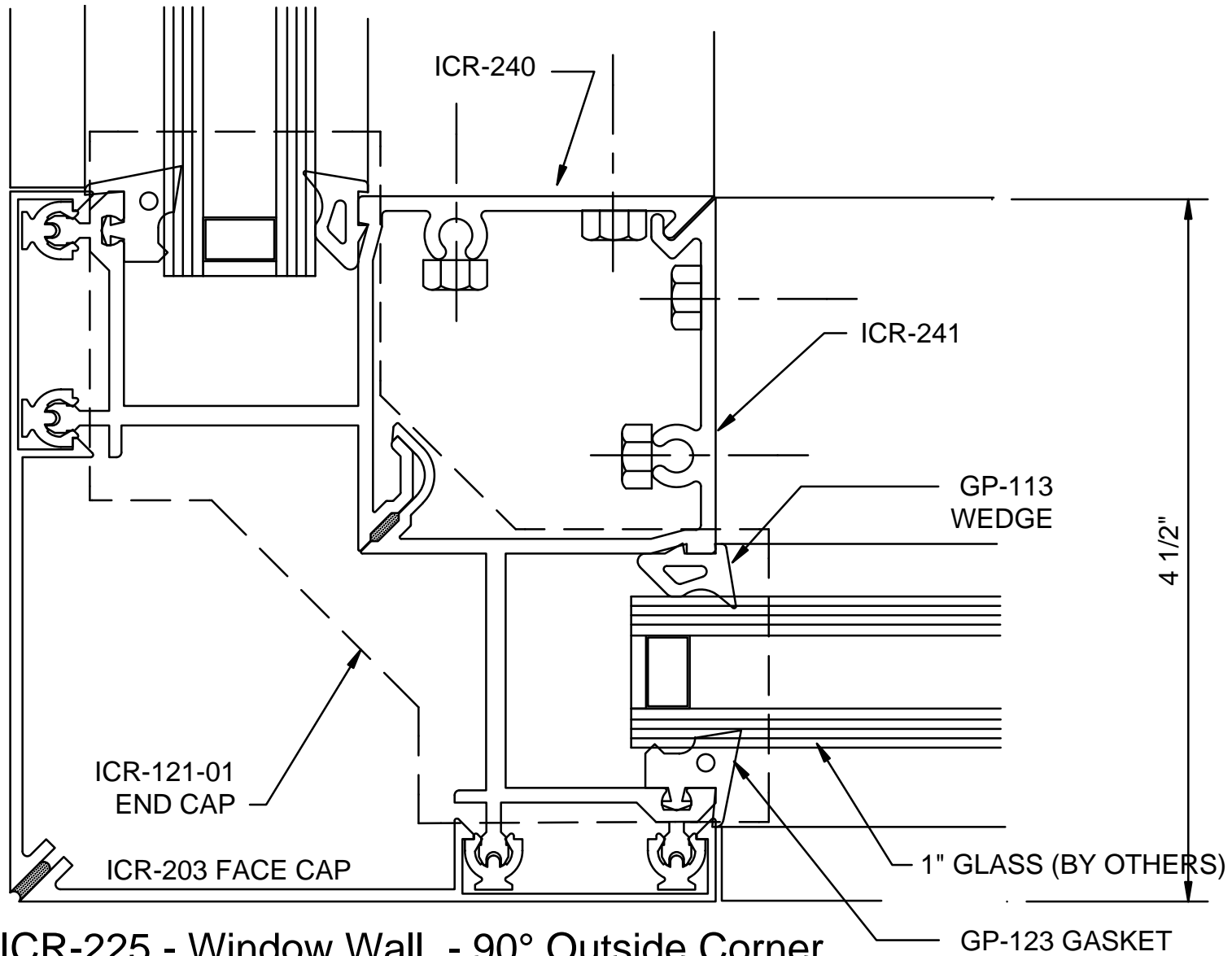
V7702



ICR-225 - Window Wall - Vertical Mullion

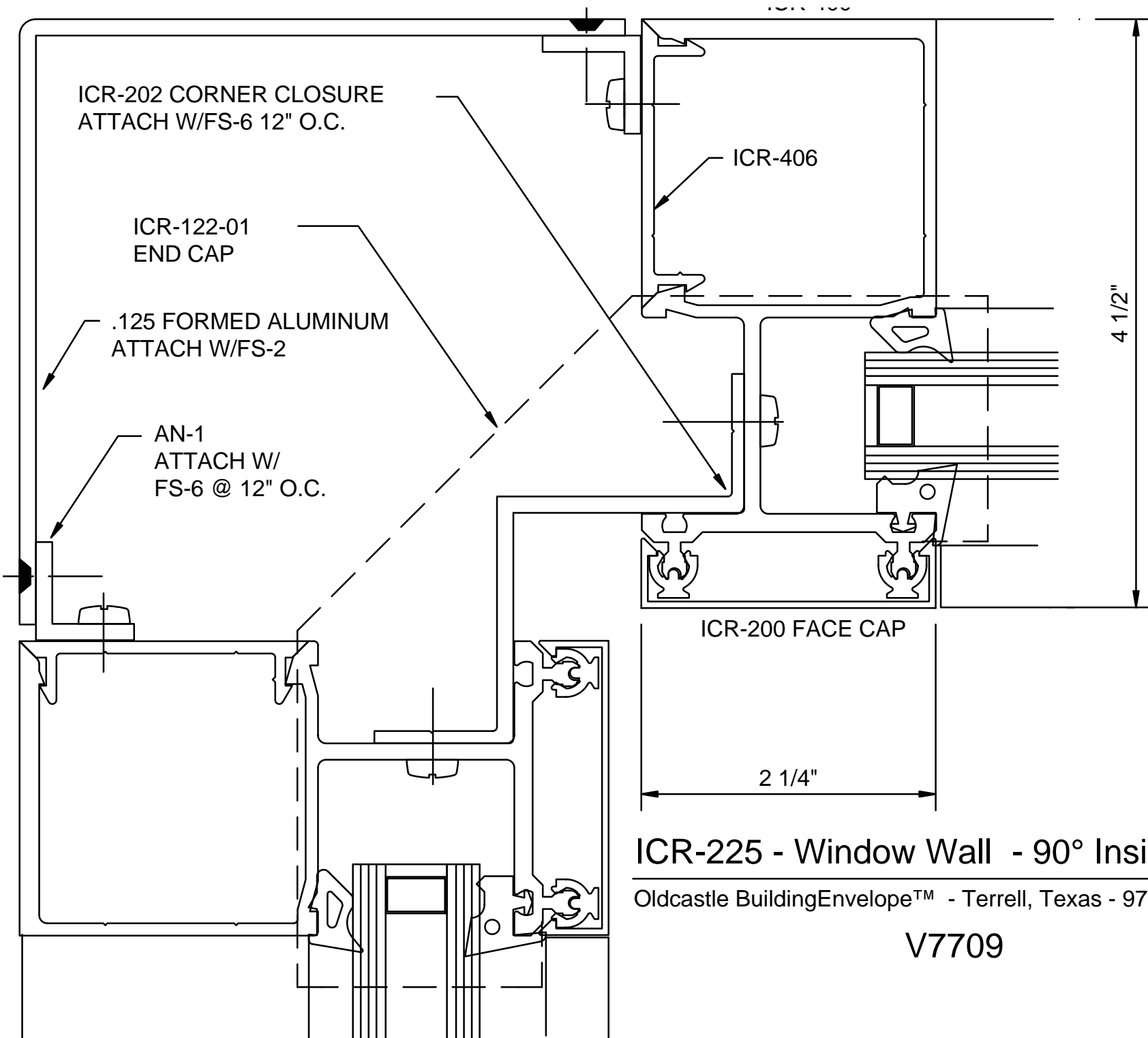
Oldcastle BuildingEnvelope™ - Terrell, Texas - 972-551-6100

V7704



Oldcastle BuildingEnvelope™ - Terrell, Texas - 972-551-6100

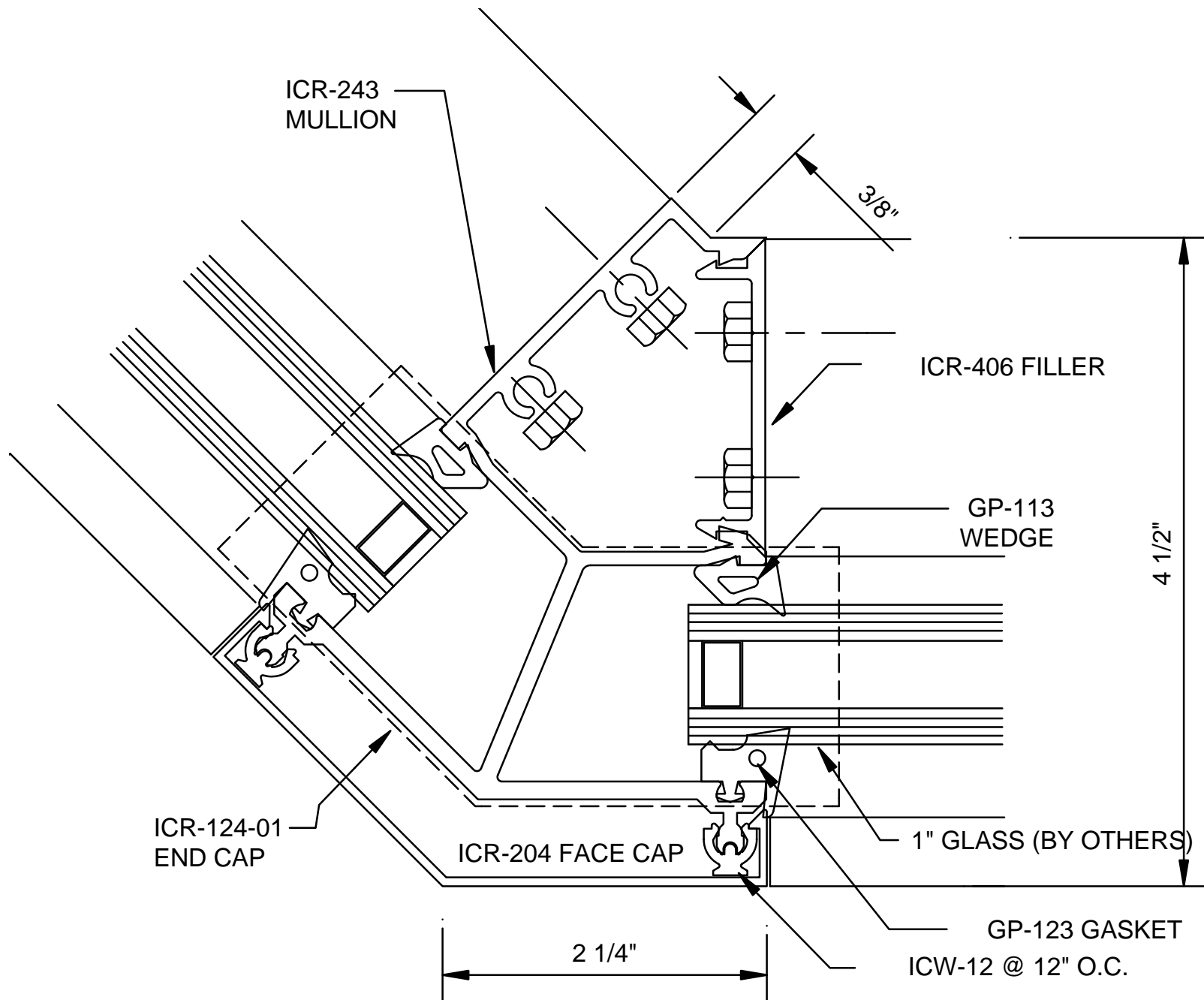
V7708



ICR-225 - Window Wall - 90° Inside Corner

Oldcastle BuildingEnvelope™ - Terrell, Texas - 972-551-6100

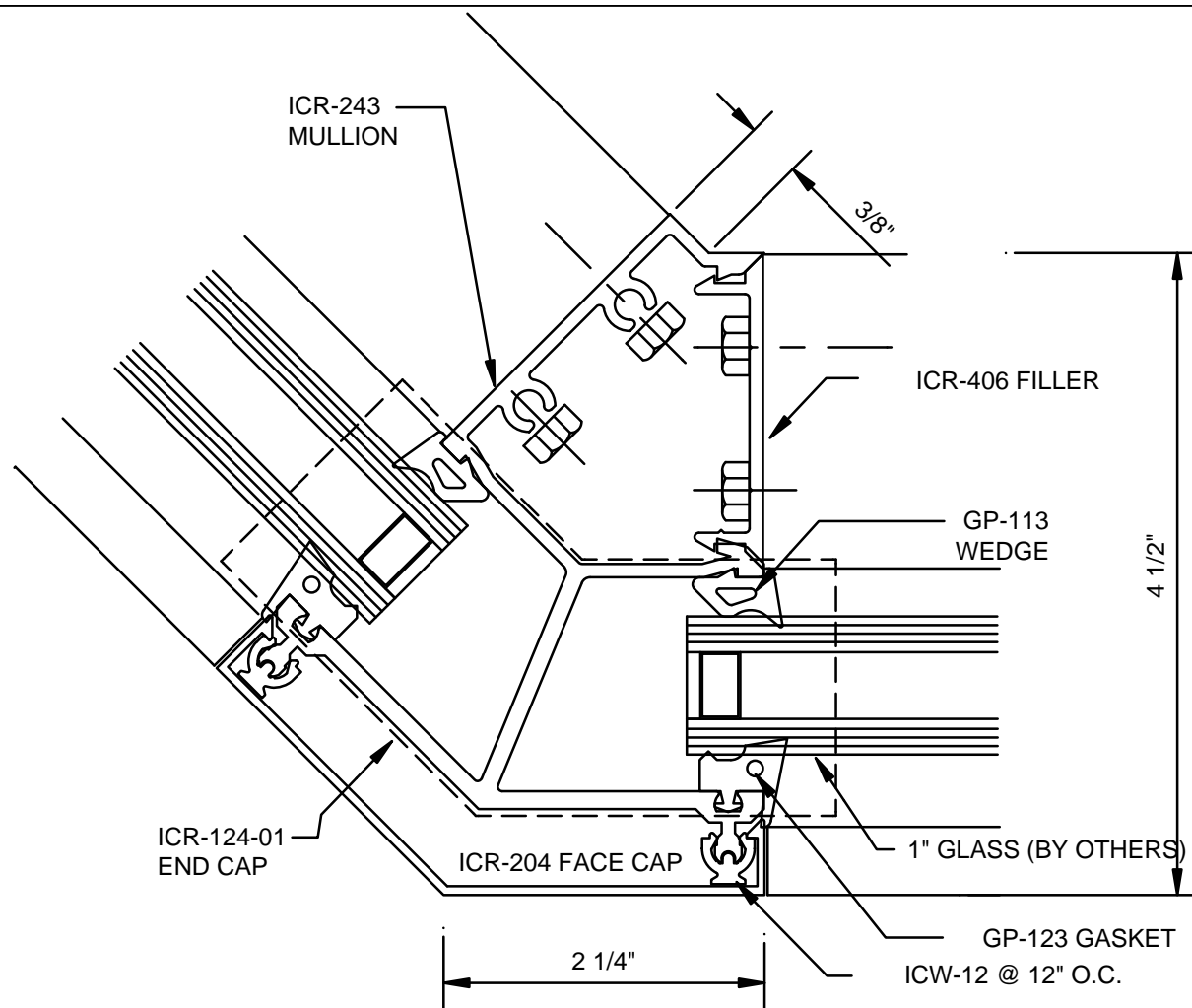
V7709



ICR-225 - Window Wall - 135° Outside Corner

Oldcastle BuildingEnvelope™ - Terrell, Texas - 972-551-6100

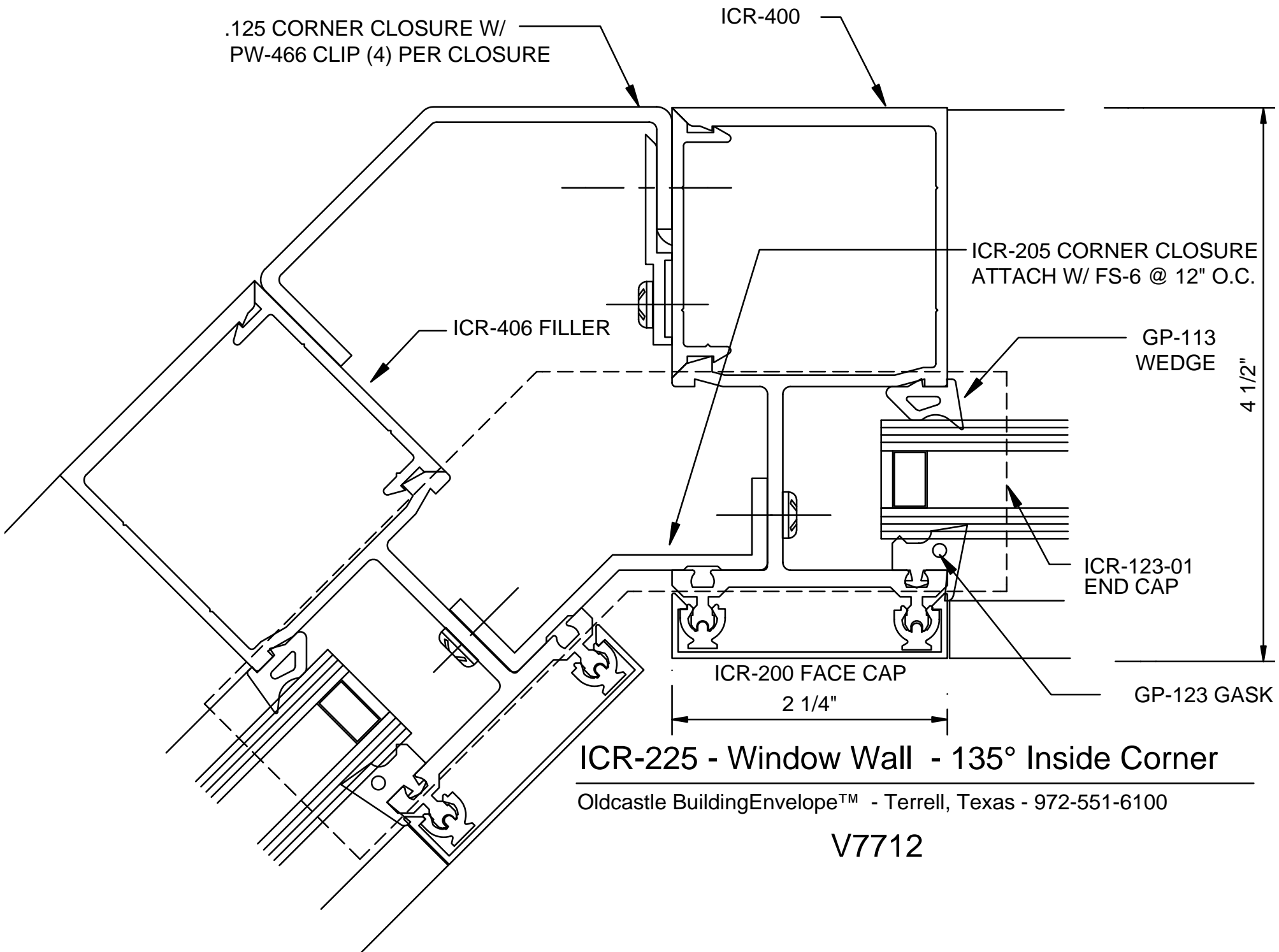
V7711



ICR-225 - Window Wall - 135° Outside Corner

Oldcastle BuildingEnvelope™ - Terrell, Texas - 972-551-6100

V7711



.125 CORNER CLOSURE W/
PW-466 CLIP (4) PER CLOSURE

ICR-400

ICR-205 CORNER CLOSURE
ATTACH W/ FS-6 @ 12" O.C.

ICR-406 FILLER

GP-113
WEDGE

4 1/2"

ICR-123-01
END CAP

ICR-200 FACE CAP

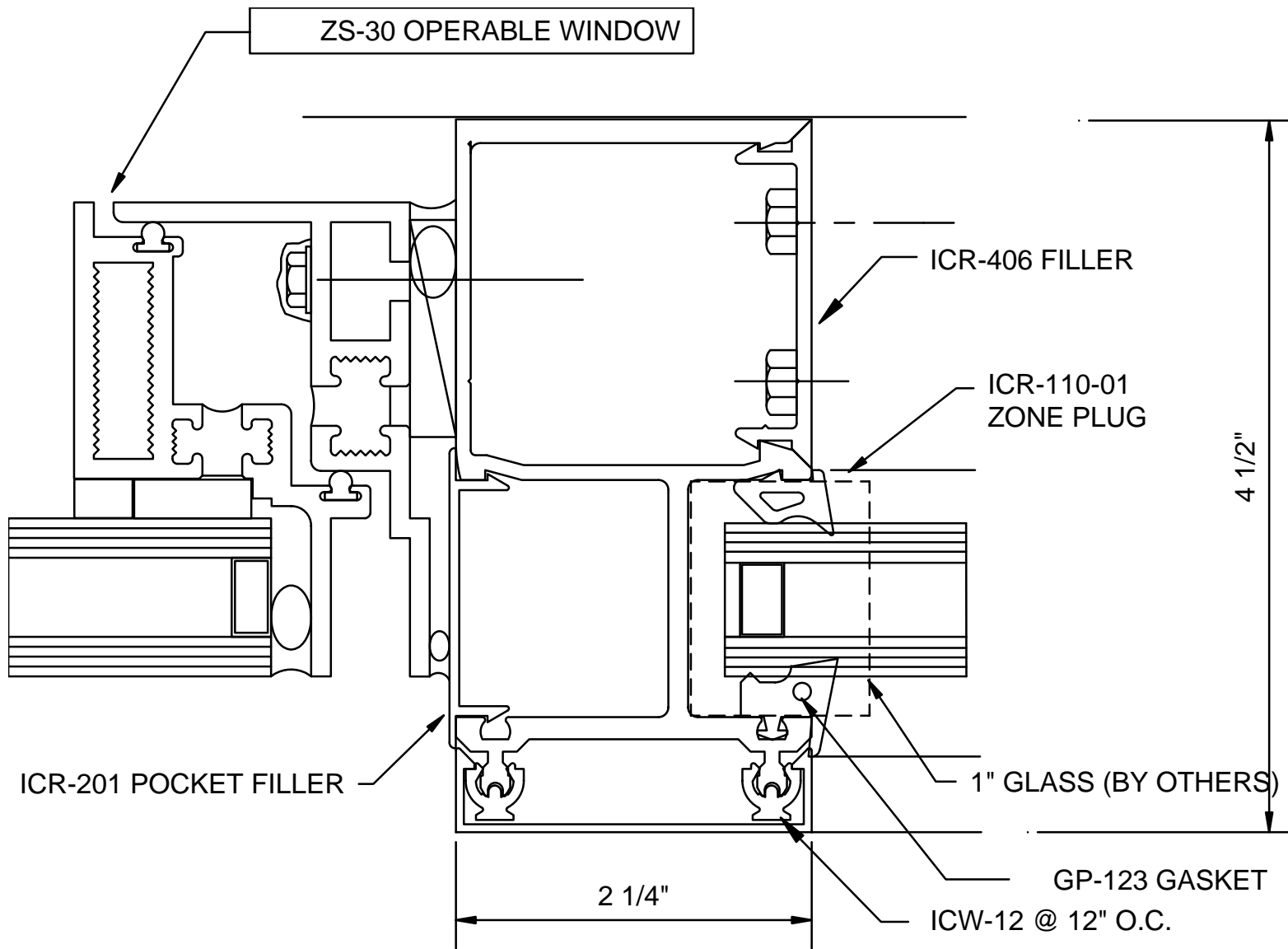
2 1/4"

GP-123 GASK

ICR-225 - Window Wall - 135° Inside Corner

Oldcastle BuildingEnvelope™ - Terrell, Texas - 972-551-6100

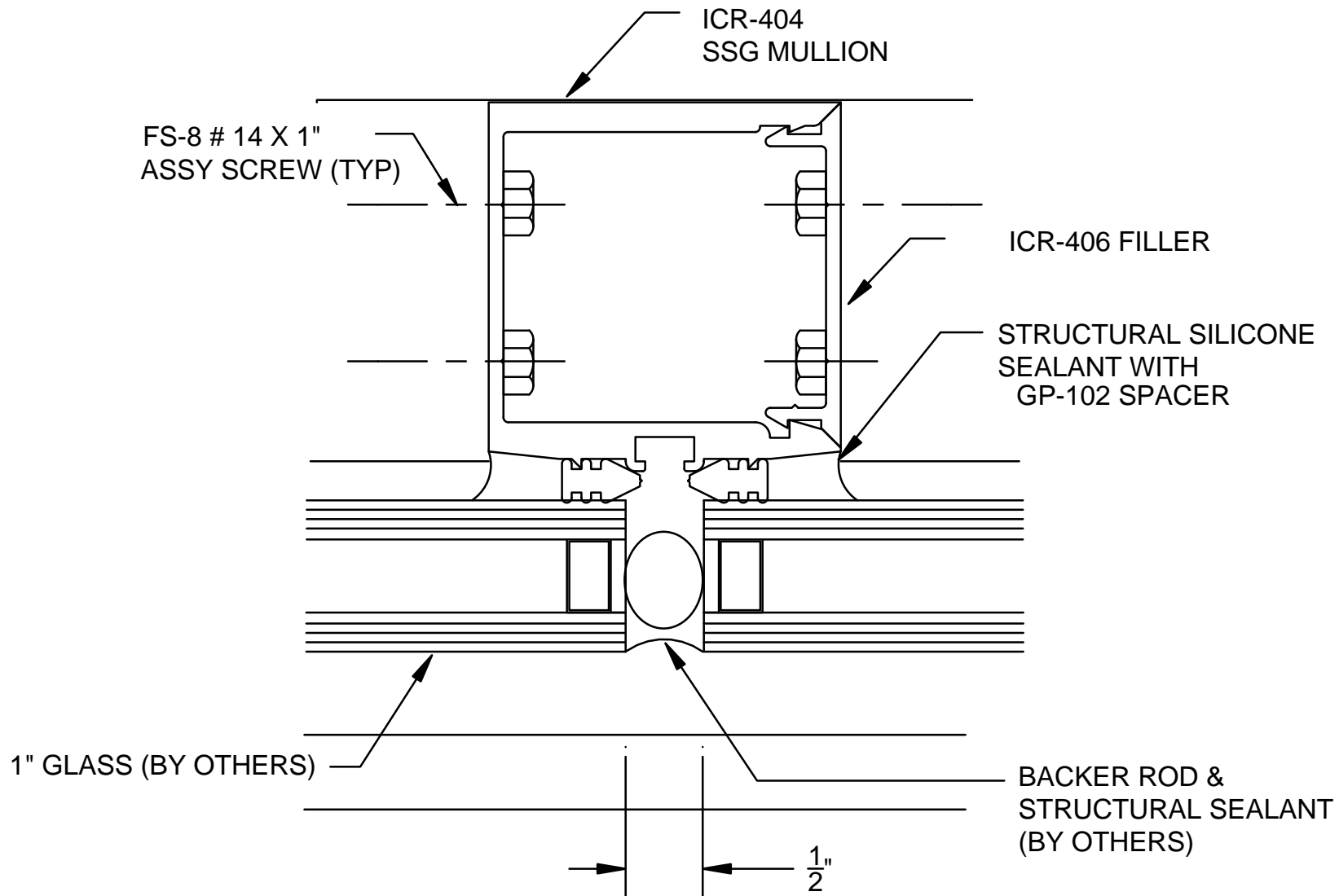
V7712



ICR-225 - Window Wall - Vertical @ Operable Window

Oldcastle BuildingEnvelope™ - Terrell, Texas - 972-551-6100

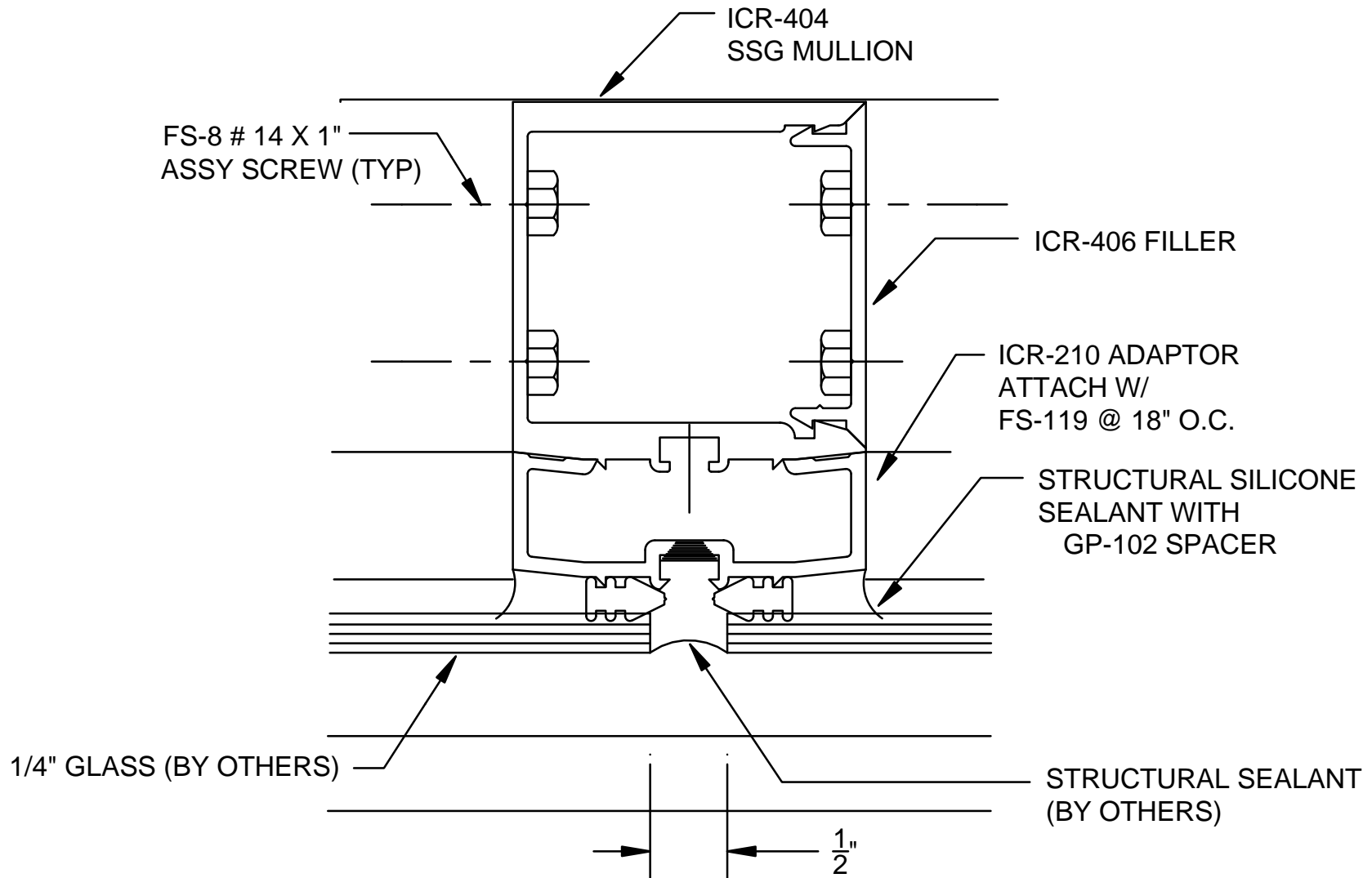
V7714



ICR-225 - Window Wall - SSG Vertical Mullion

Oldcastle BuildingEnvelope™ - Terrell, Texas - 972-551-6100

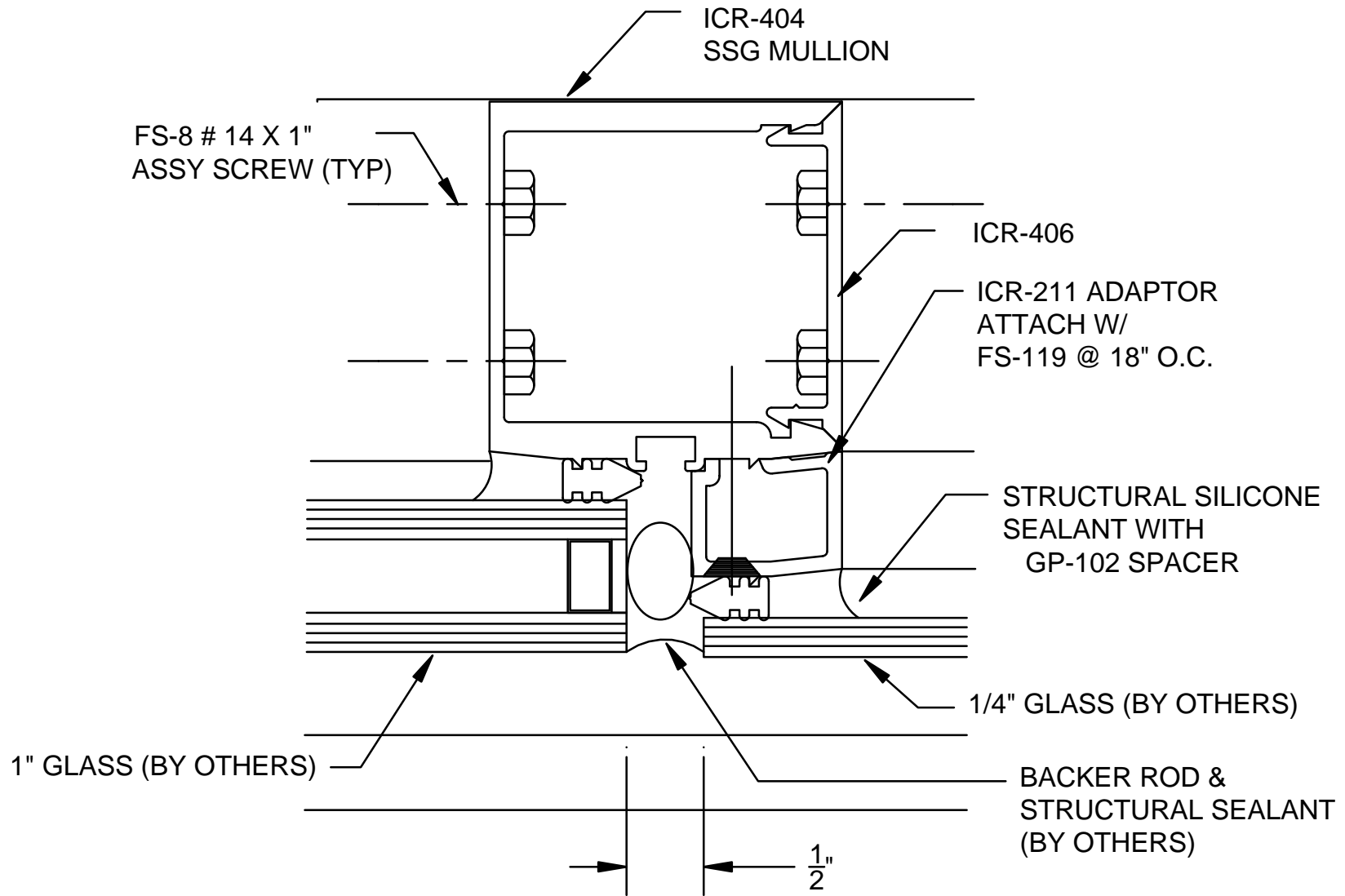
V7742



ICR-225 - Window Wall - SSG Vertical Mullion

Oldcastle BuildingEnvelope™ - Terrell, Texas - 972-551-6100

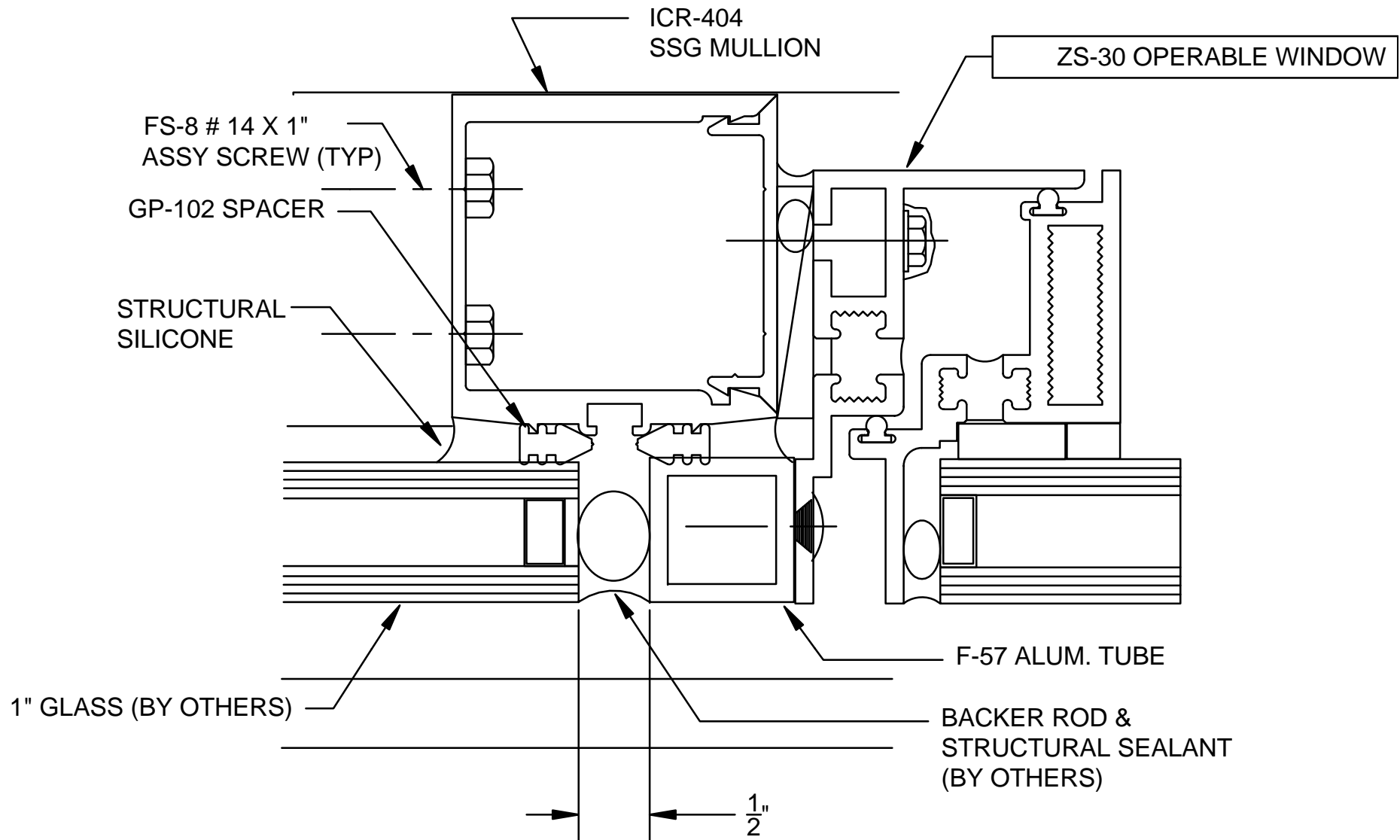
V7743



ICR-225 - Window Wall - SSG Vertical Mullion

Oldcastle BuildingEnvelope™ - Terrell, Texas - 972-551-6100

V7744



ICR-225 - Window Wall - SSG Vertical @ Operable Window

Oldcastle BuildingEnvelope™ - Terrell, Texas - 972-551-6100

V7745