

# Oldcastle BuildingEnvelope™

803 Airport Rd Terrell, TX 75160  
(972) 551-6100

---

## Window Wall - ICR-225 Isolator Clip System-A - 2 1/4" x 6"

---

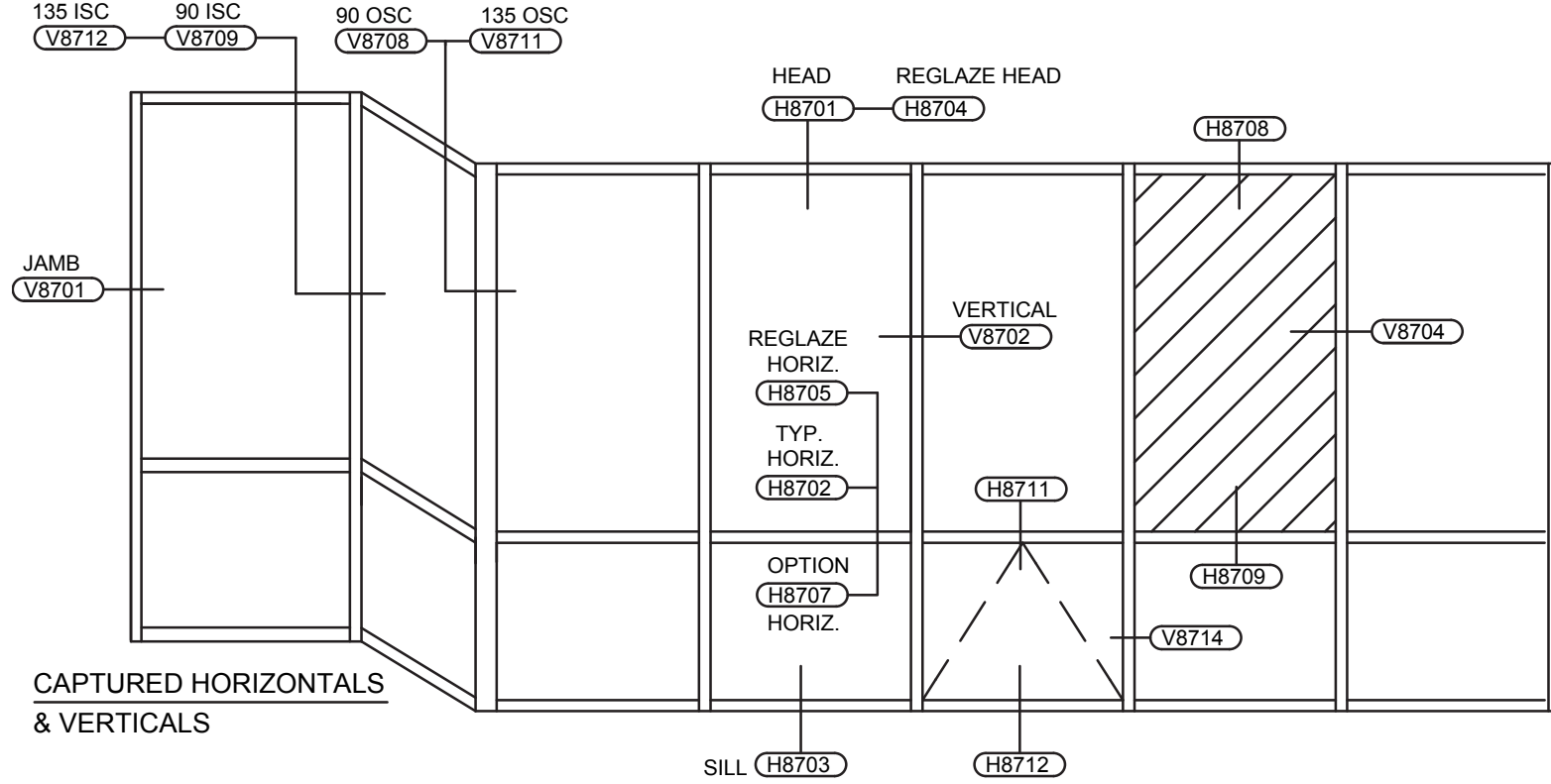
### Table of Contents

*(Drawing numbers ie H8701 used as CAD detail reference only )*

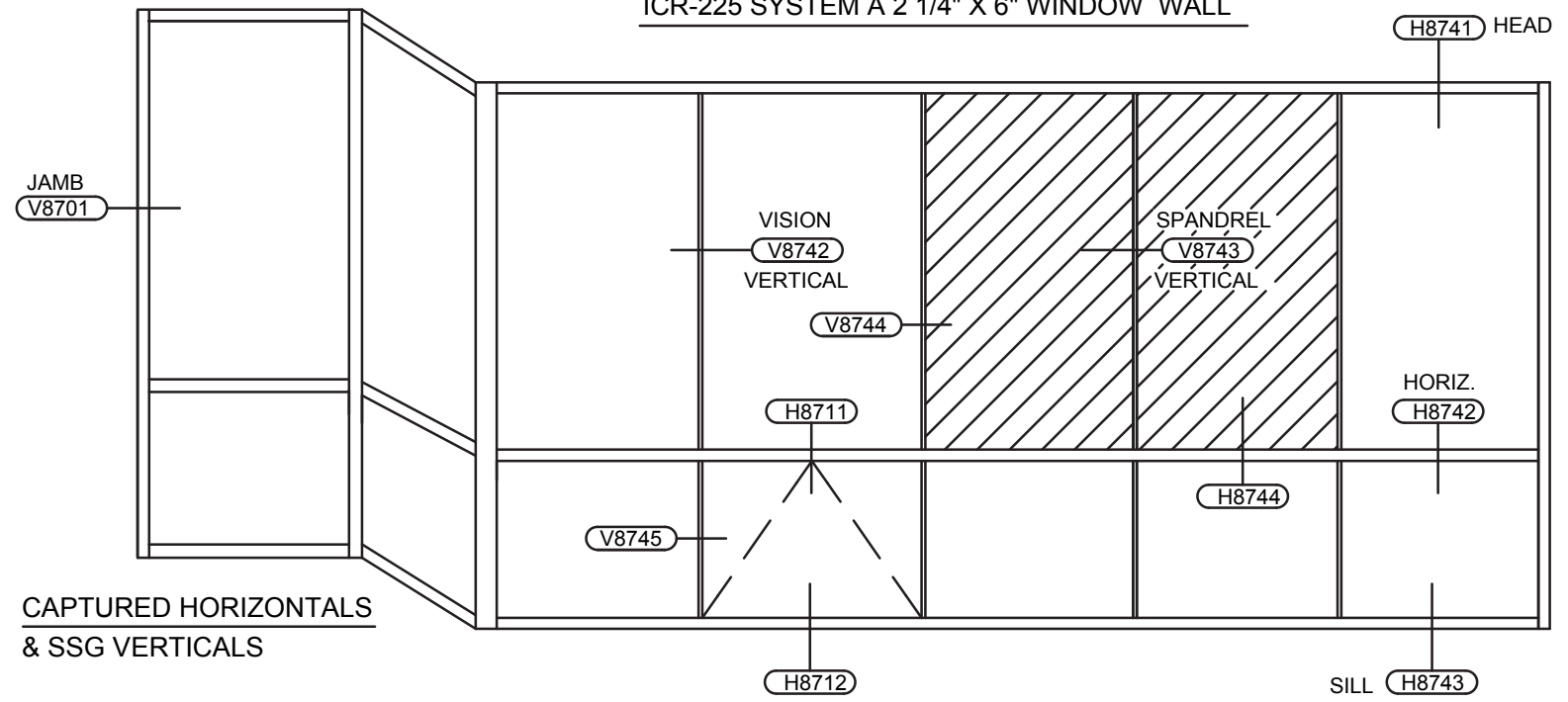
Elev-ICR225-System-A-6in-Wall  
H8701-Head Horizontal  
H8702-Intermediate Horizontal  
H8703-Sill Horizontal  
H8704-Reglazed Head  
H8705-Reglazed Horizontal  
H8707-Intermediate Horizontal  
H8708-Head Horizontal  
H8709-Intermediate Horizontal  
H8711-Operable Window Horiz  
H8712-Operable Window Sill  
H8741-Head Horizontal  
H8742-Intermediate Horizontal  
H8743-Sill Horizontal  
H8744-Intermediate Horizontal

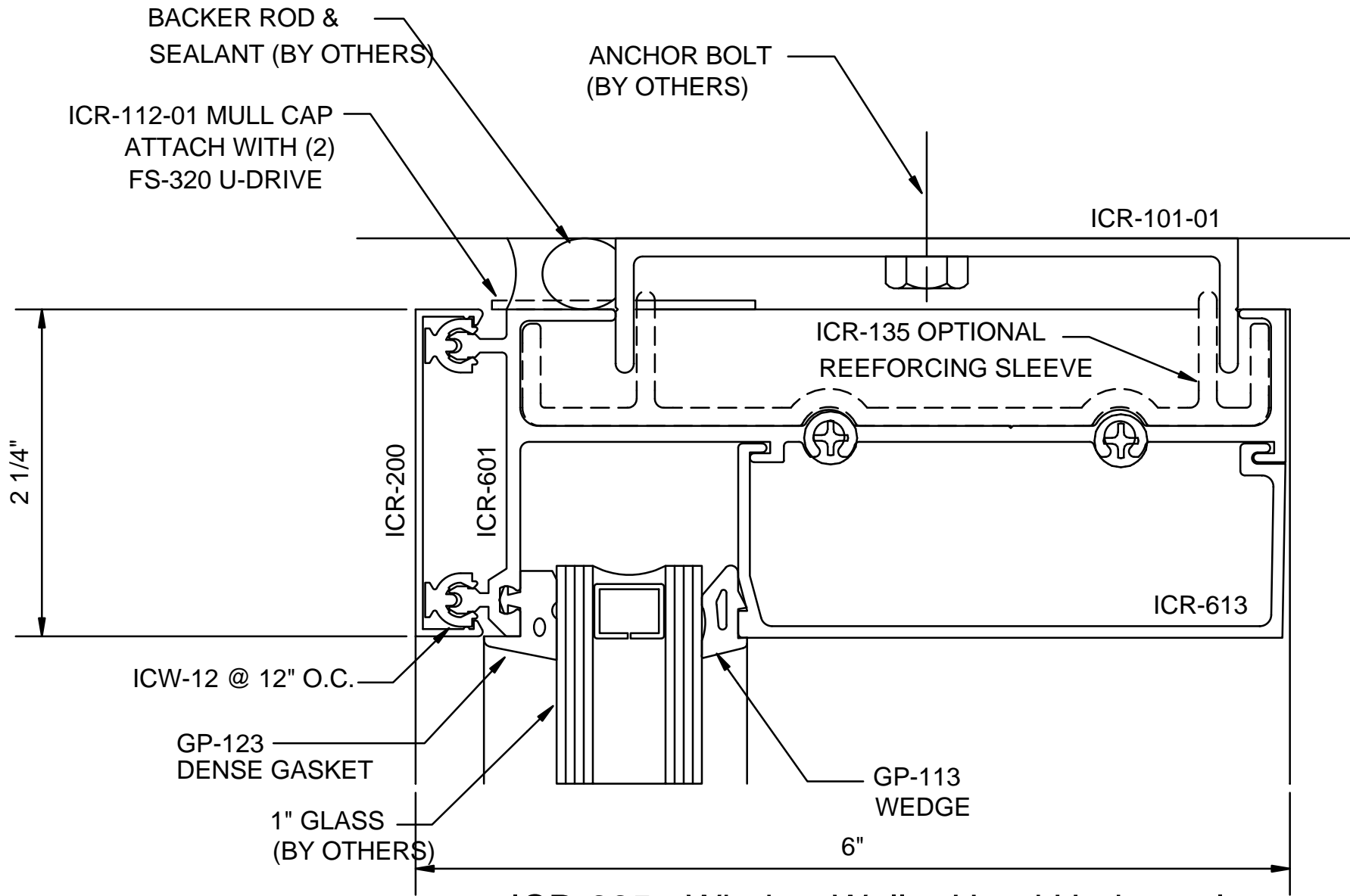
V8701-Vertical Jamb  
V8702-Vertical Mullion  
V8704-Vertical Mullion  
V8708-90 Outside Corner  
V8709-90 Inside Corner  
V8711-135 Outside Corner  
V8712-135 Inside Corner  
V8714-Operable Window Vertical  
V8742-SSG Vertical Mullion  
V8743-SSG Vertical Mullion  
V8744-SSG Vertical Mullion  
V8745-Operable Window SSG Mullion

---



MODEL: ELEV-ICR225-SYSTEM-A-600in-WALL  
 ICR-225 SYSTEM A 2 1/4" X 6" WINDOW WALL

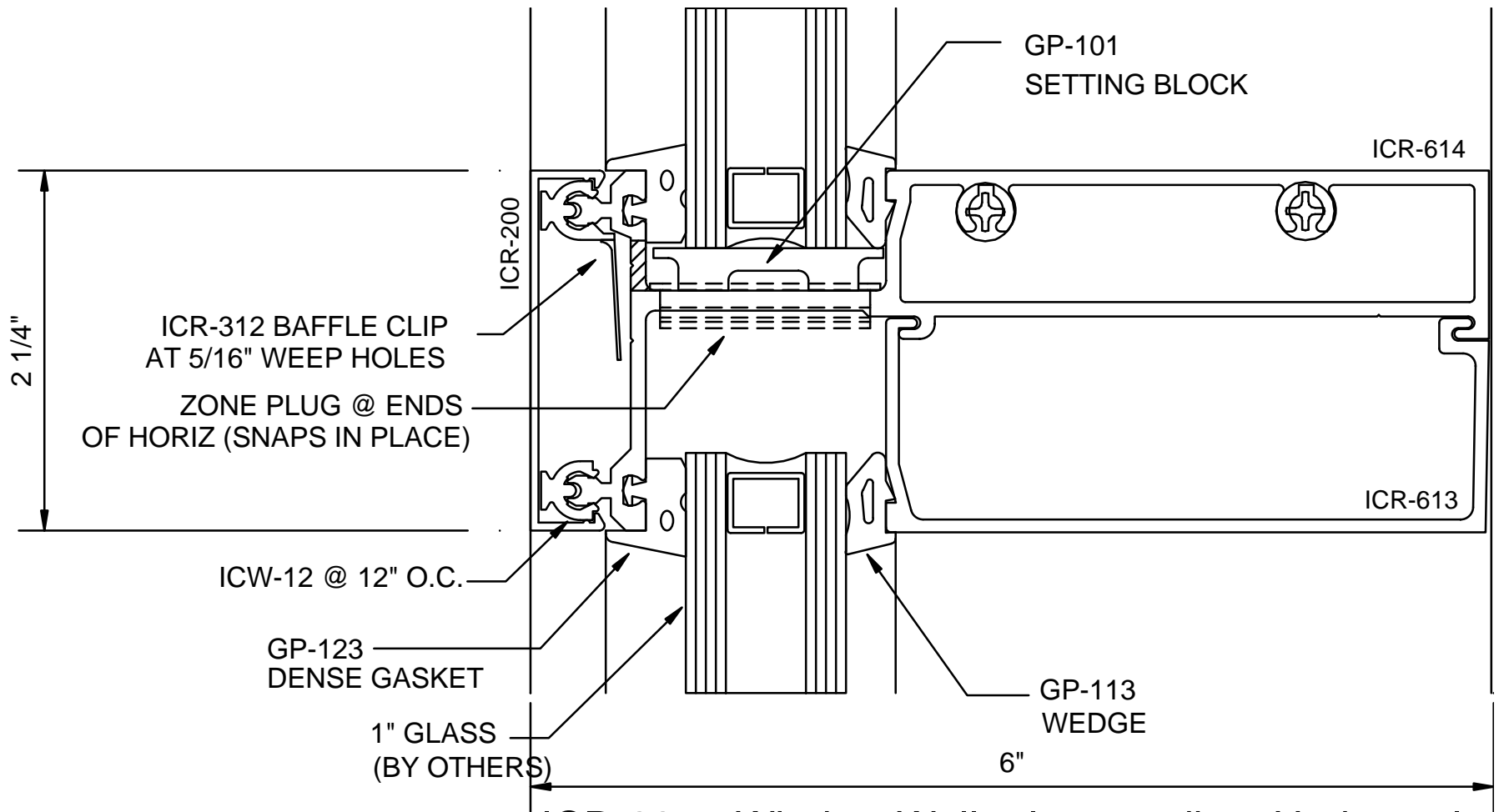




**ICR-225 - Window Wall - Head Horizontal**

Oldcastle BuildingEnvelope™ - Terrell, Texas - 972-551-6100

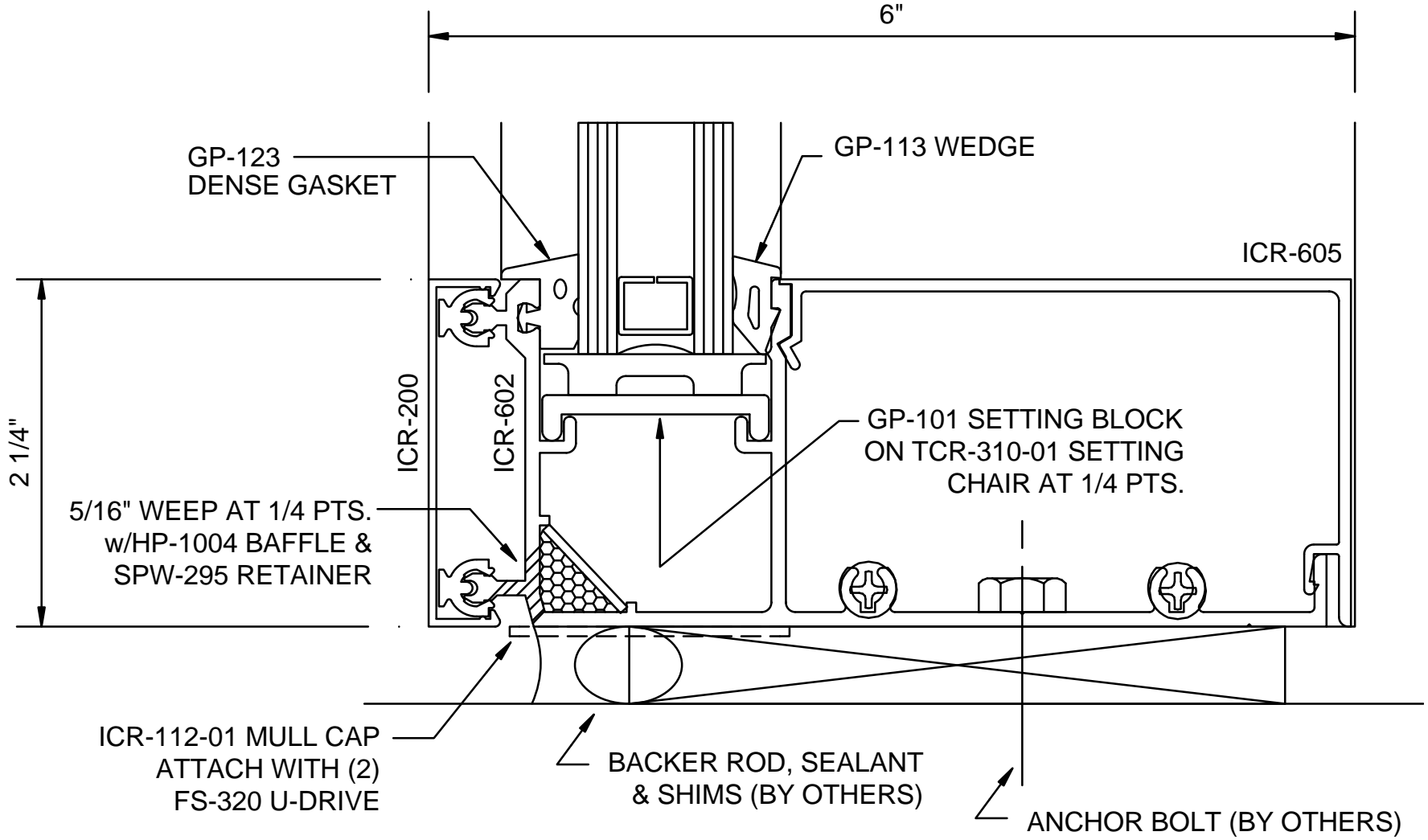
**H8701**



**ICR-225 - Window Wall - Intermediate Horizontal**

Oldcastle BuildingEnvelope™ - Terrell, Texas - 972-551-6100

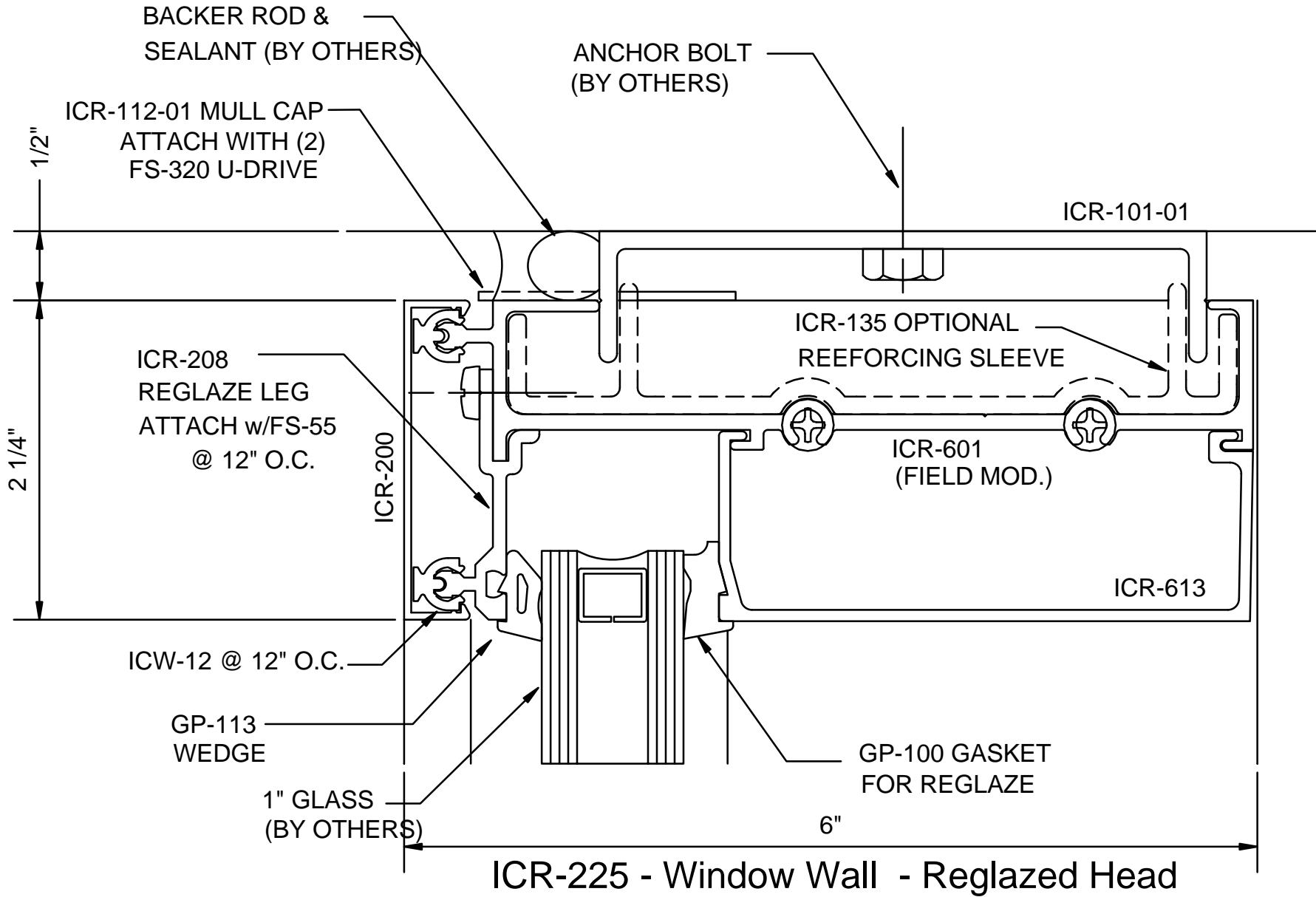
**H8702**



**ICR-225 - Window Wall - Sill Horizontal**

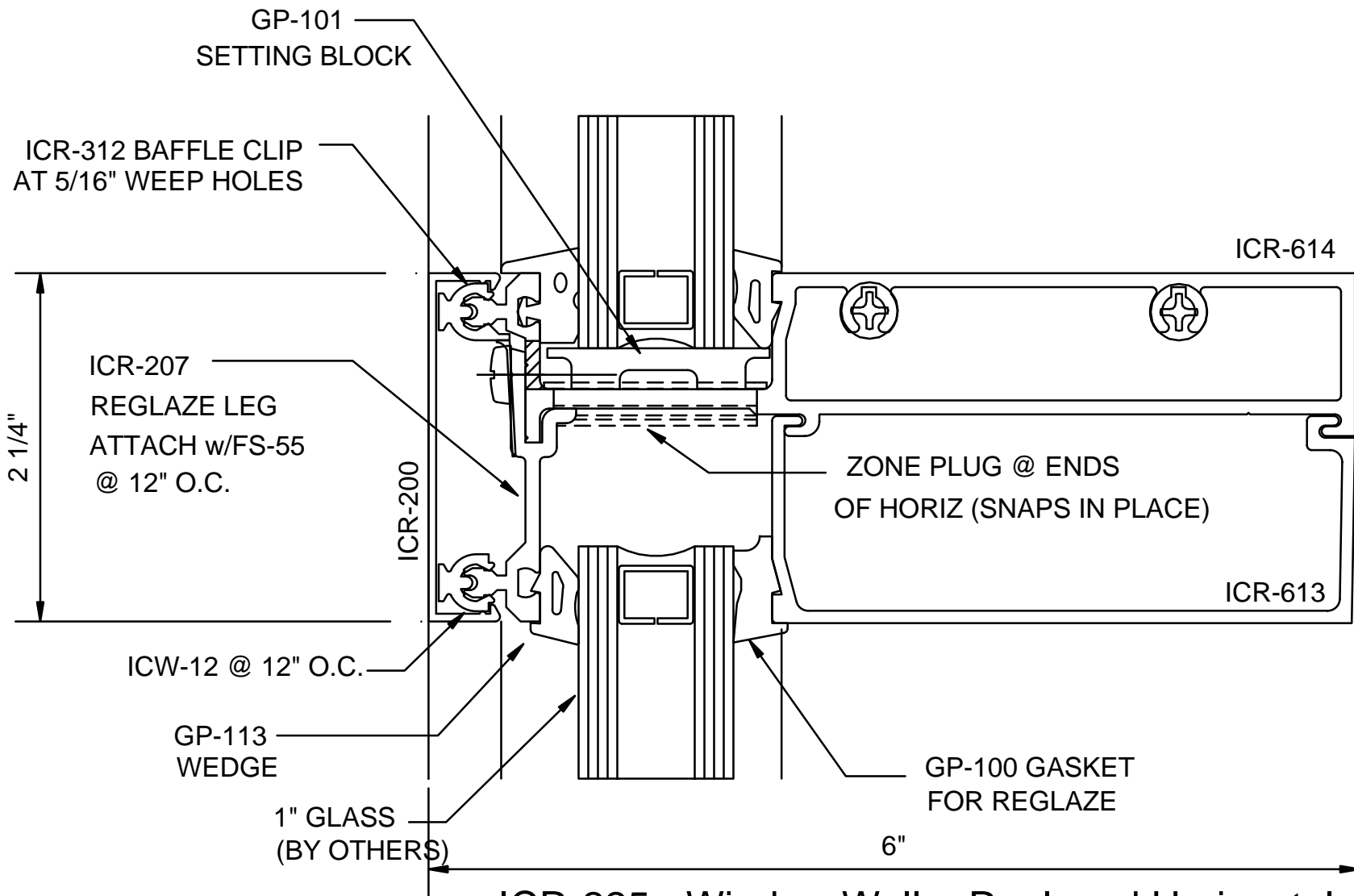
Oldcastle BuildingEnvelope™ - Terrell, Texas - 972-551-6100

**H8703**



Oldcastle BuildingEnvelope™ - Terrell, Texas - 972-551-6100

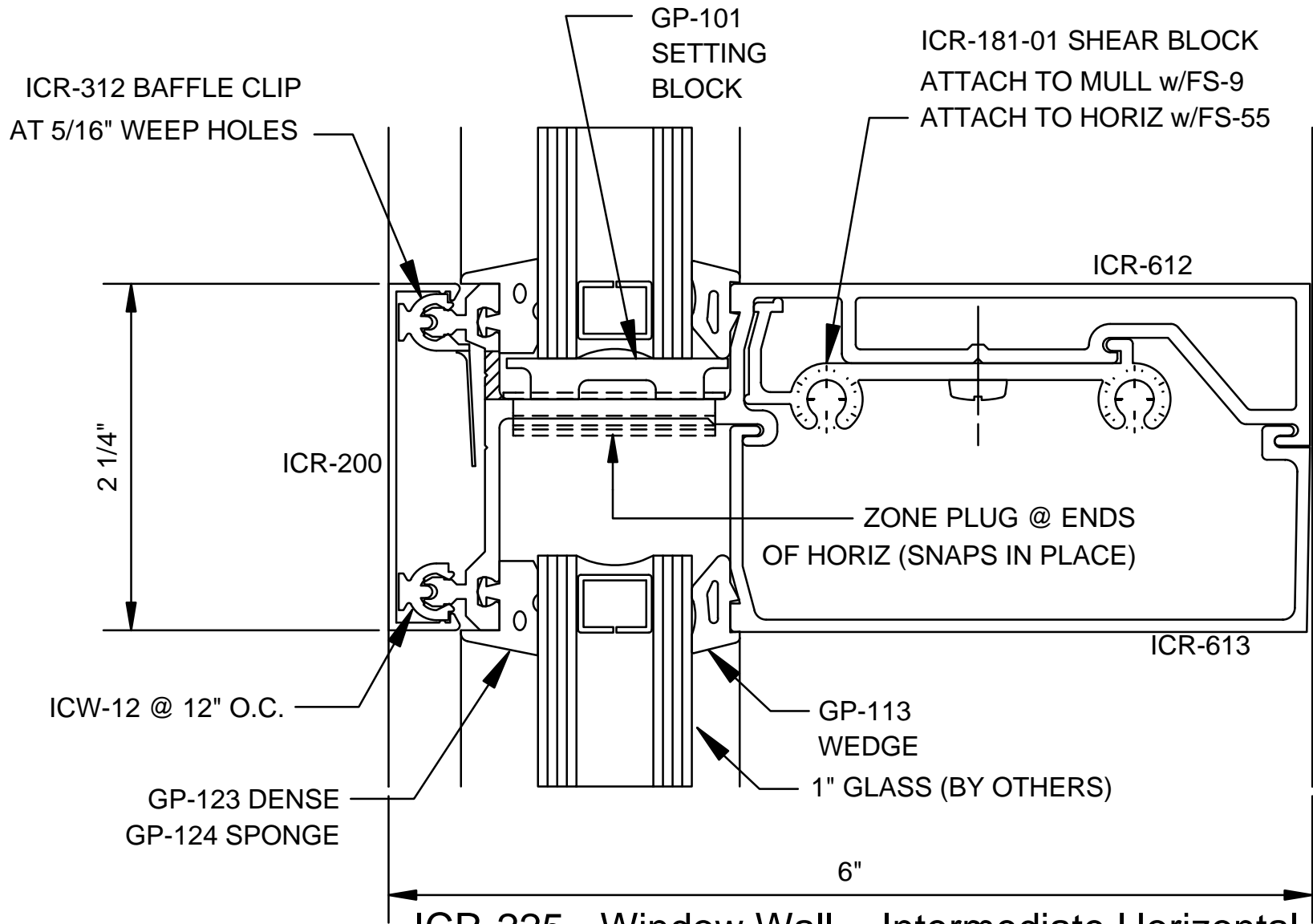
H8704



**ICR-225 - Window Wall - Reglazed Horizontal**

Oldcastle BuildingEnvelope™ - Terrell, Texas - 972-551-6100

**H8705**

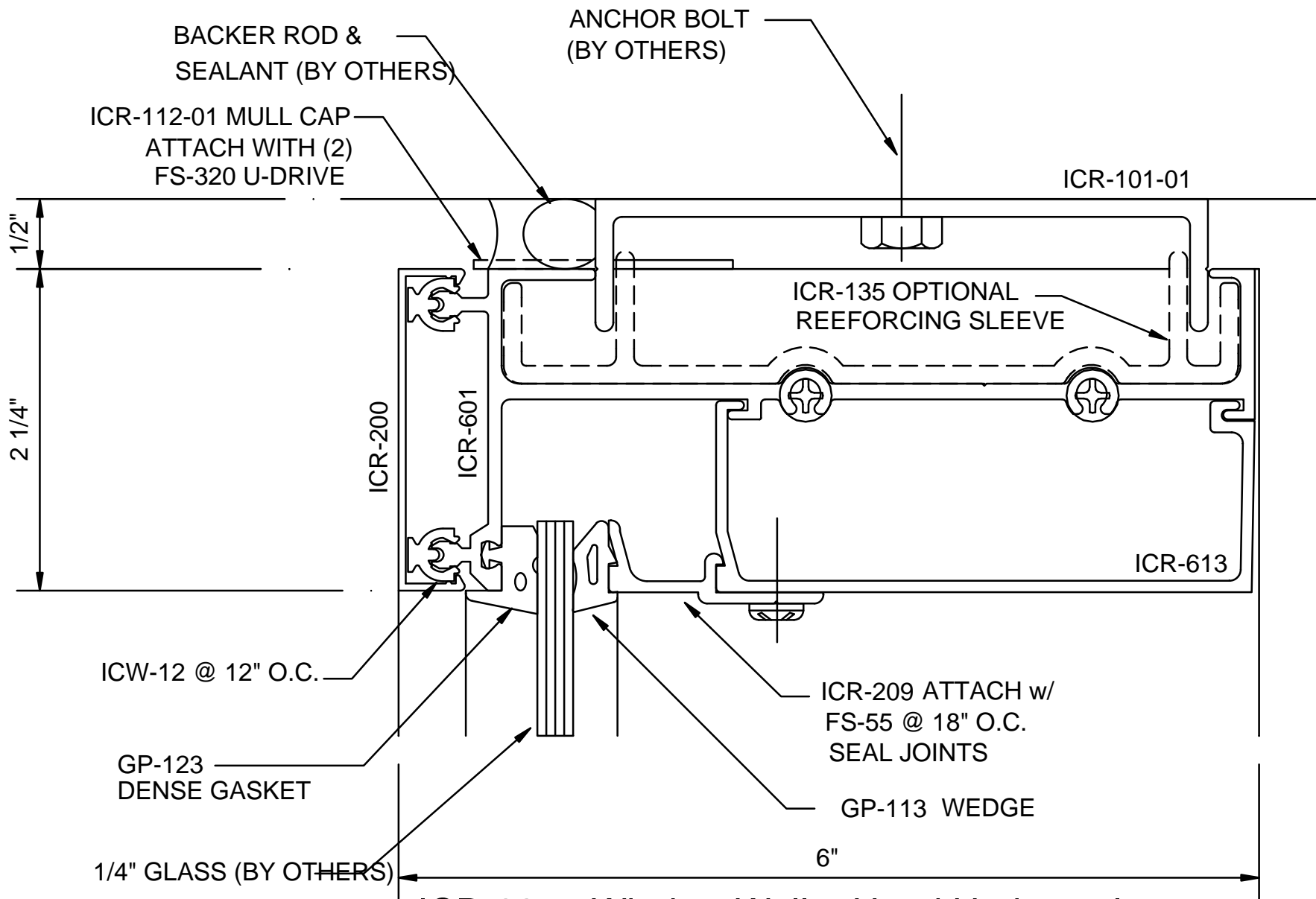


**ICR-225 - Window Wall - Intermediate Horizontal**

Oldcastle BuildingEnvelope™ - Terrell, Texas - 972-551-6100

**H8707**

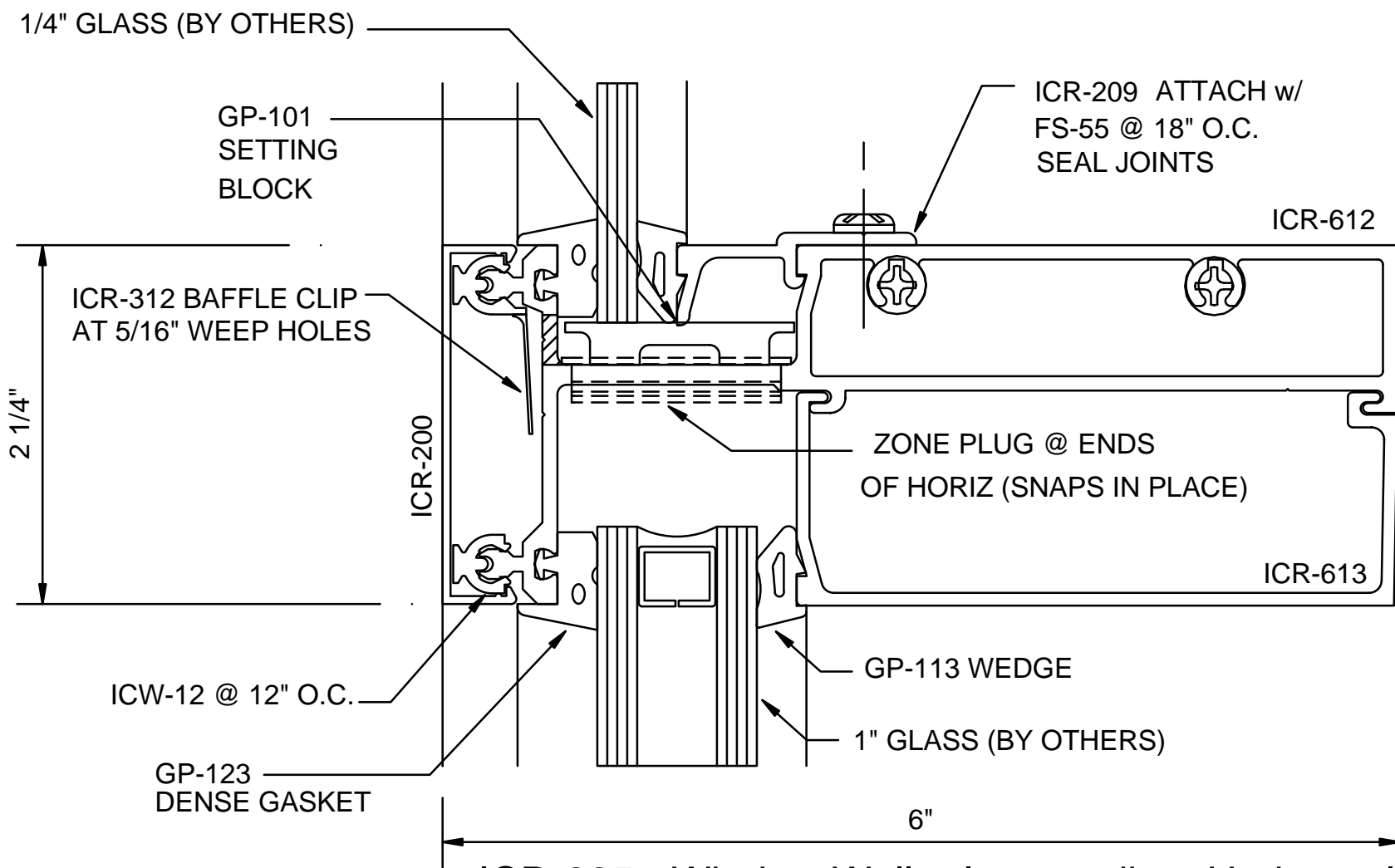




**ICR-225 - Window Wall - Head Horizontal**

Oldcastle BuildingEnvelope™ - Terrell, Texas - 972-551-6100

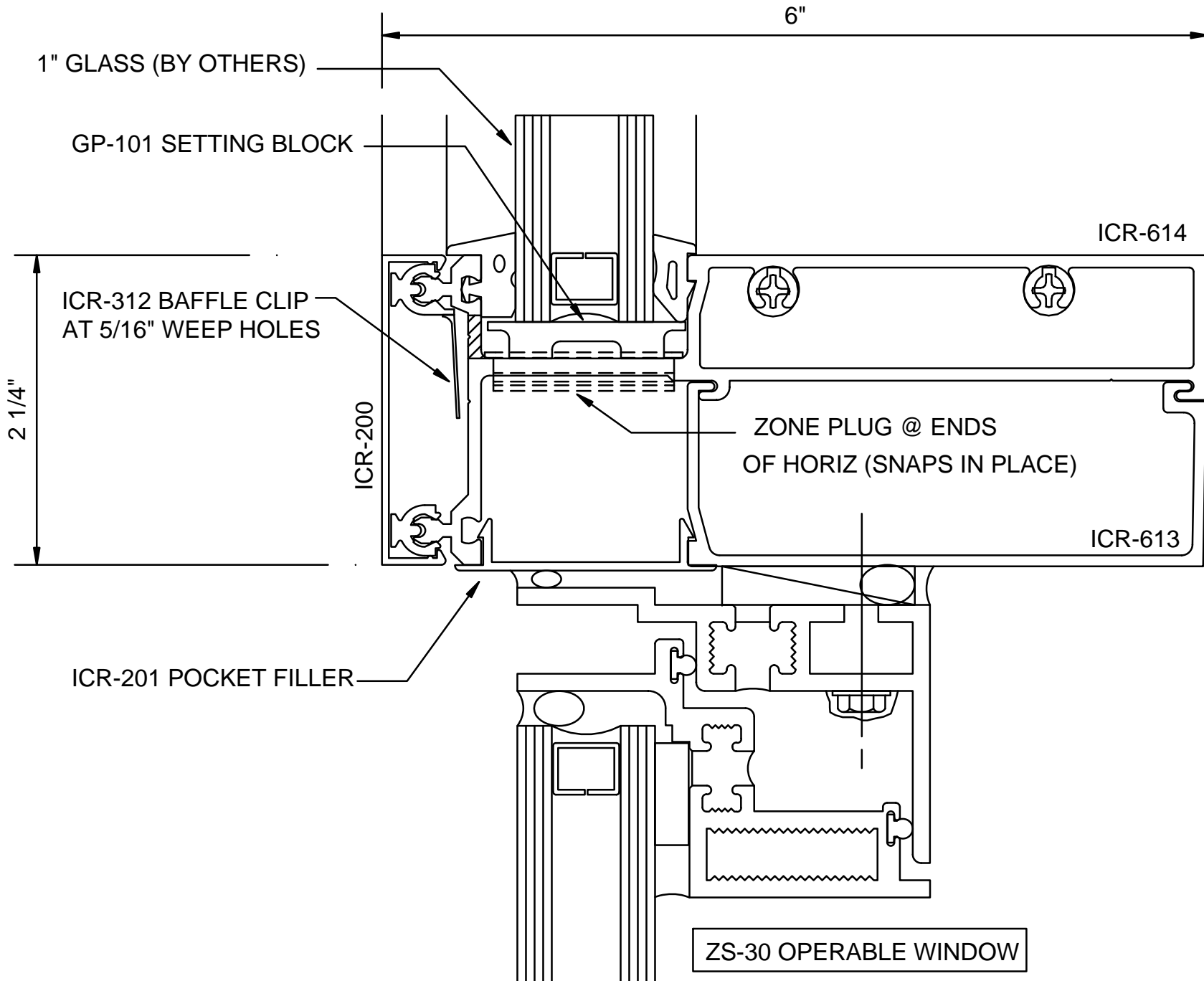
**H8708**



**ICR-225 - Window Wall - Intermediate Horizontal**

Oldcastle BuildingEnvelope™ - Terrell, Texas - 972-551-6100

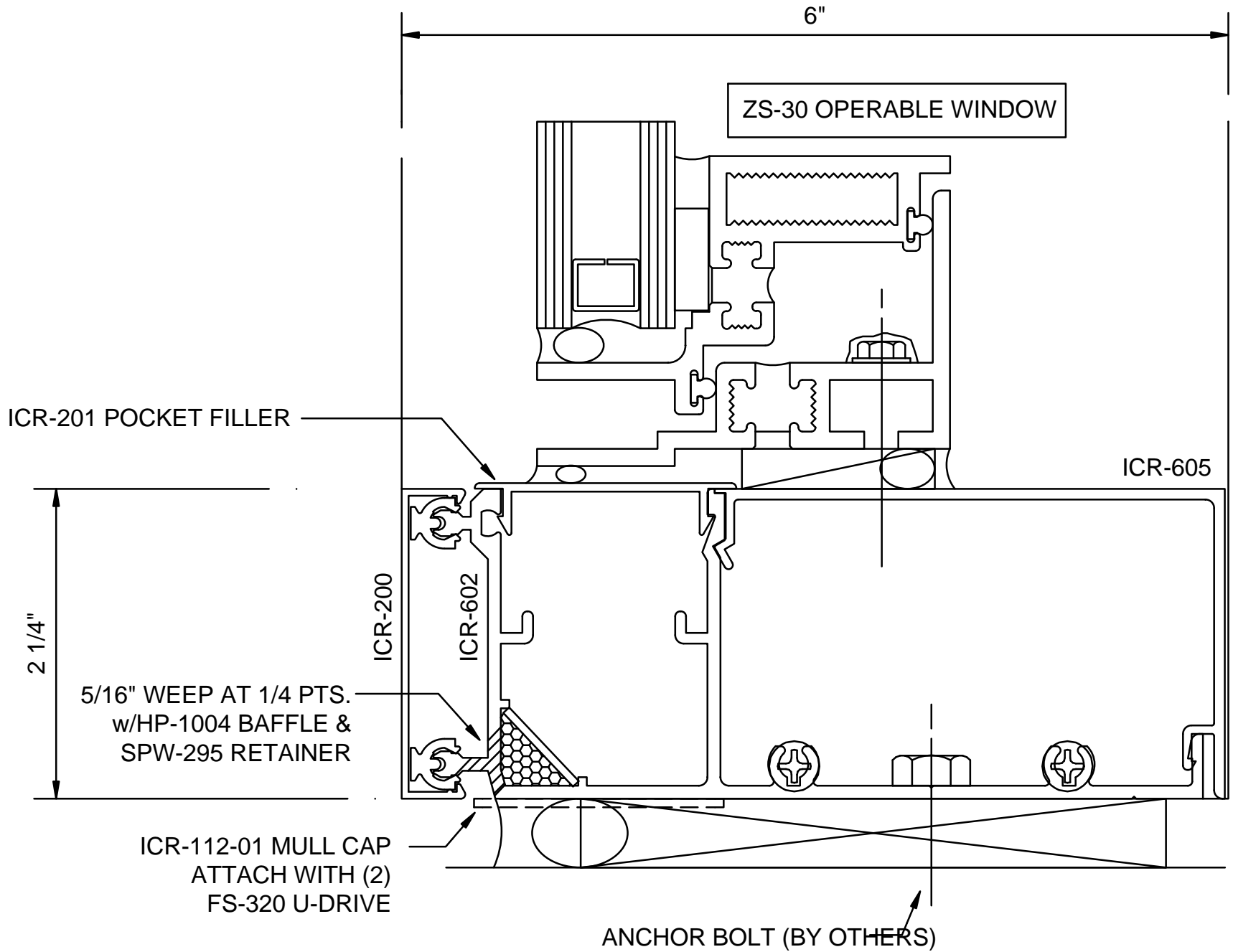
**H8709**



**ICR-225 - Window Wall - Horiz @ Operable Window**

Oldcastle BuildingEnvelope™ - Terrell, Texas - 972-551-6100

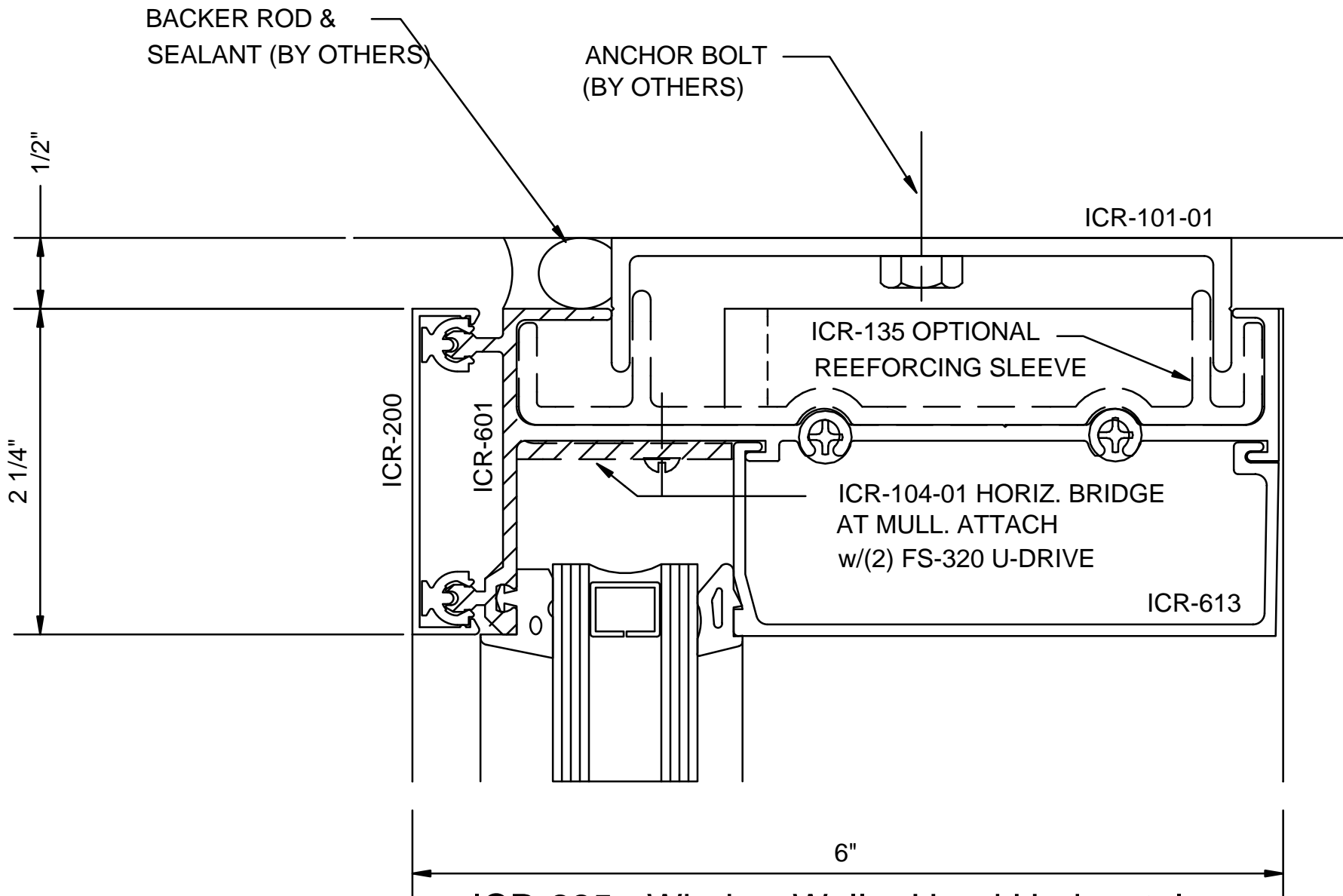
**H8711**



**ICR-225 - Window Wall - Sill @ Operable Window**

Oldcastle BuildingEnvelope™ - Terrell, Texas - 972-551-6100

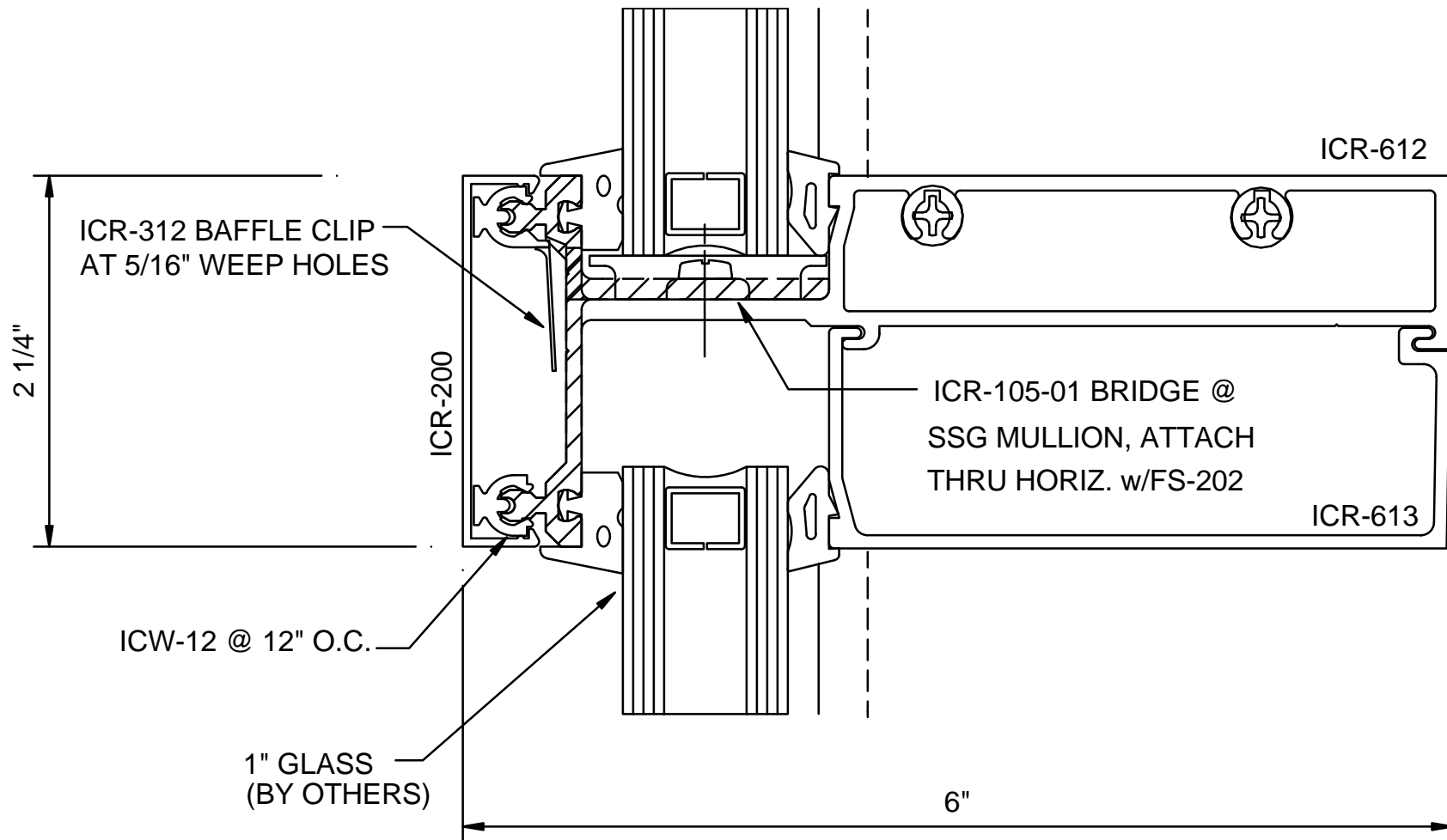
**H8712**



**ICR-225 - Window Wall - Head Horizontal**

Oldcastle BuildingEnvelope™ - Terrell, Texas - 972-551-6100

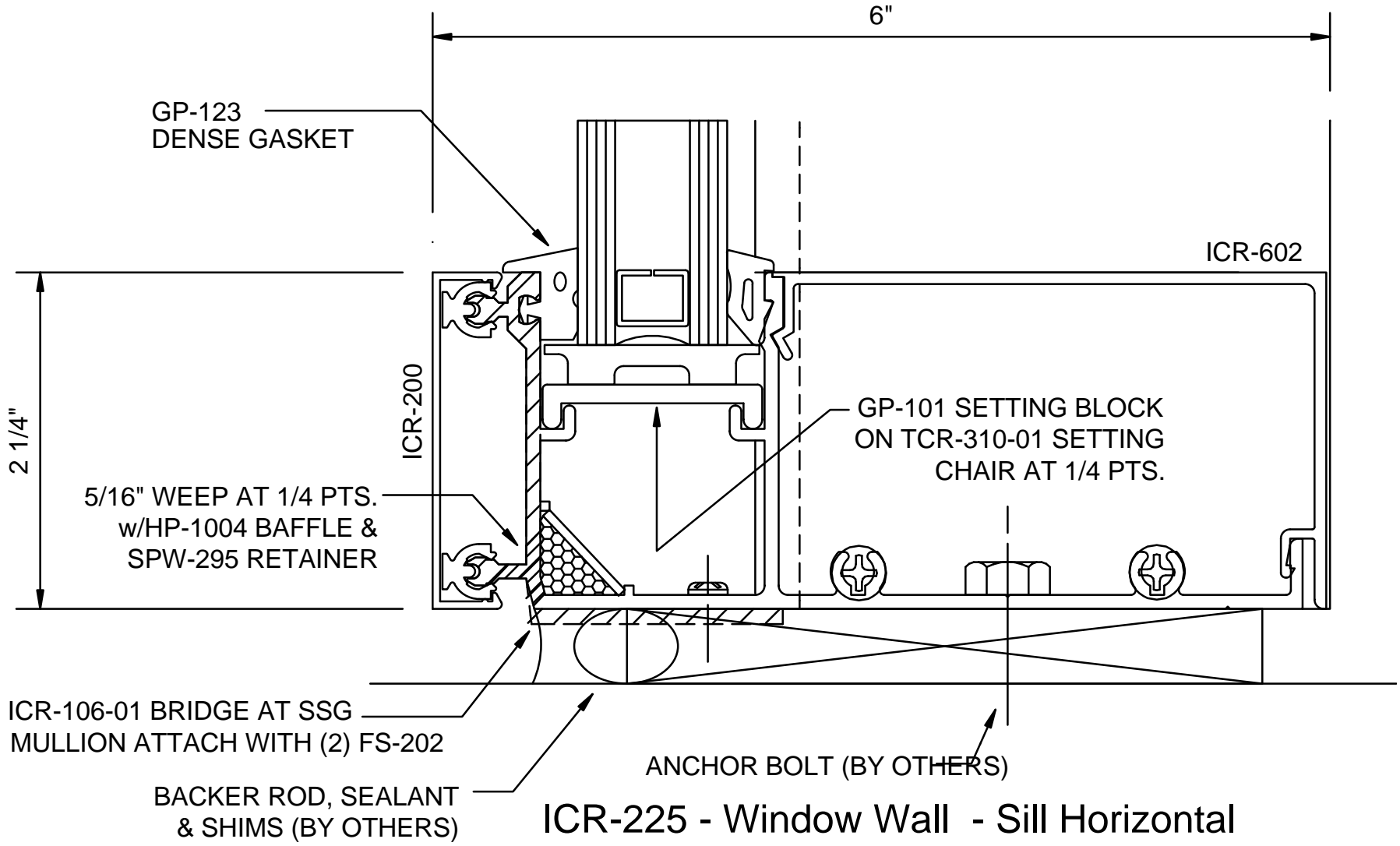
**H8741**



**ICR-225 - Window Wall - Intermediate Horizontal**

Oldcastle BuildingEnvelope™ - Terrell, Texas - 972-551-6100

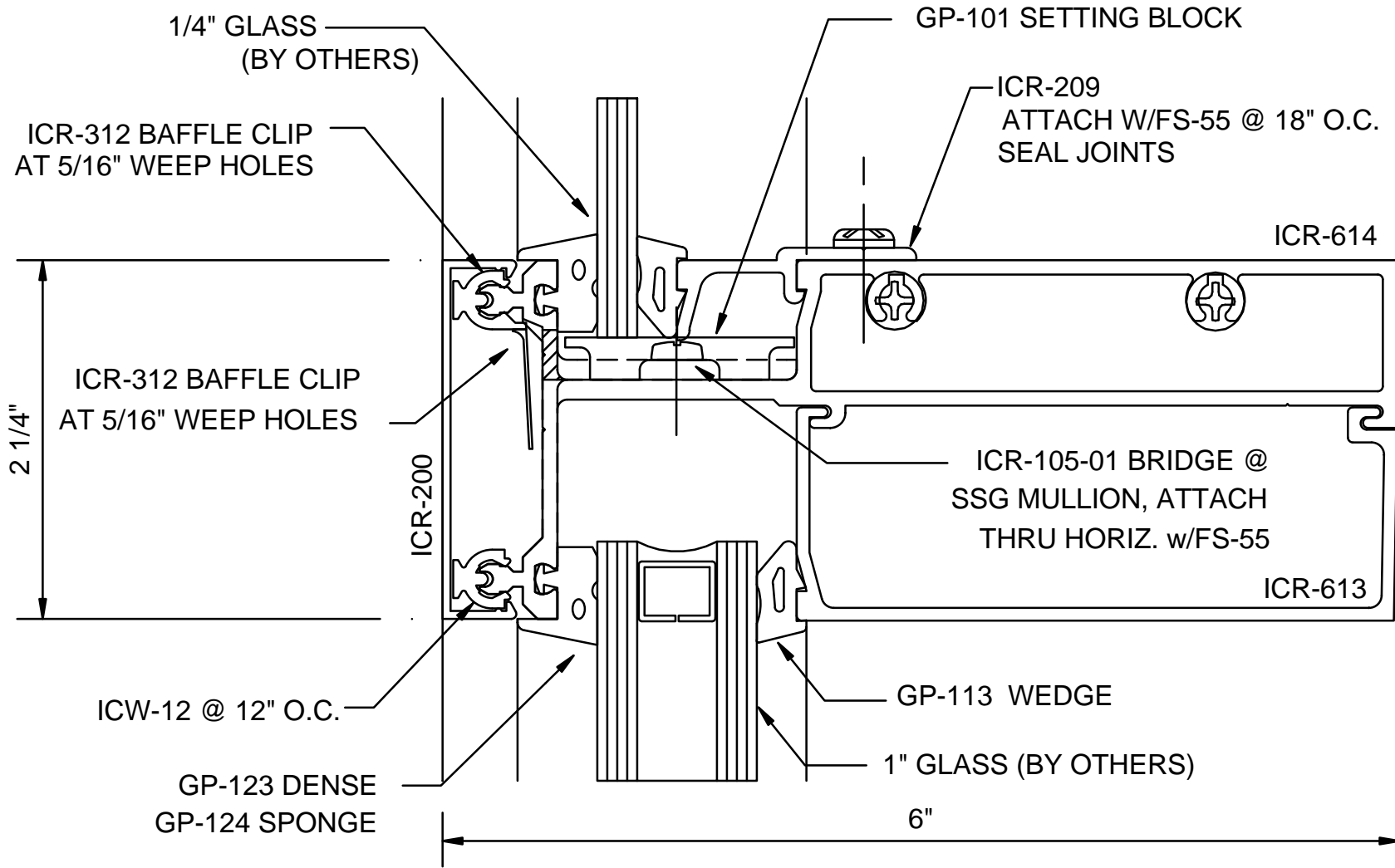
**H8742**



## ICR-225 - Window Wall - Sill Horizontal

Oldcastle BuildingEnvelope™ - Terrell, Texas - 972-551-6100

H8743

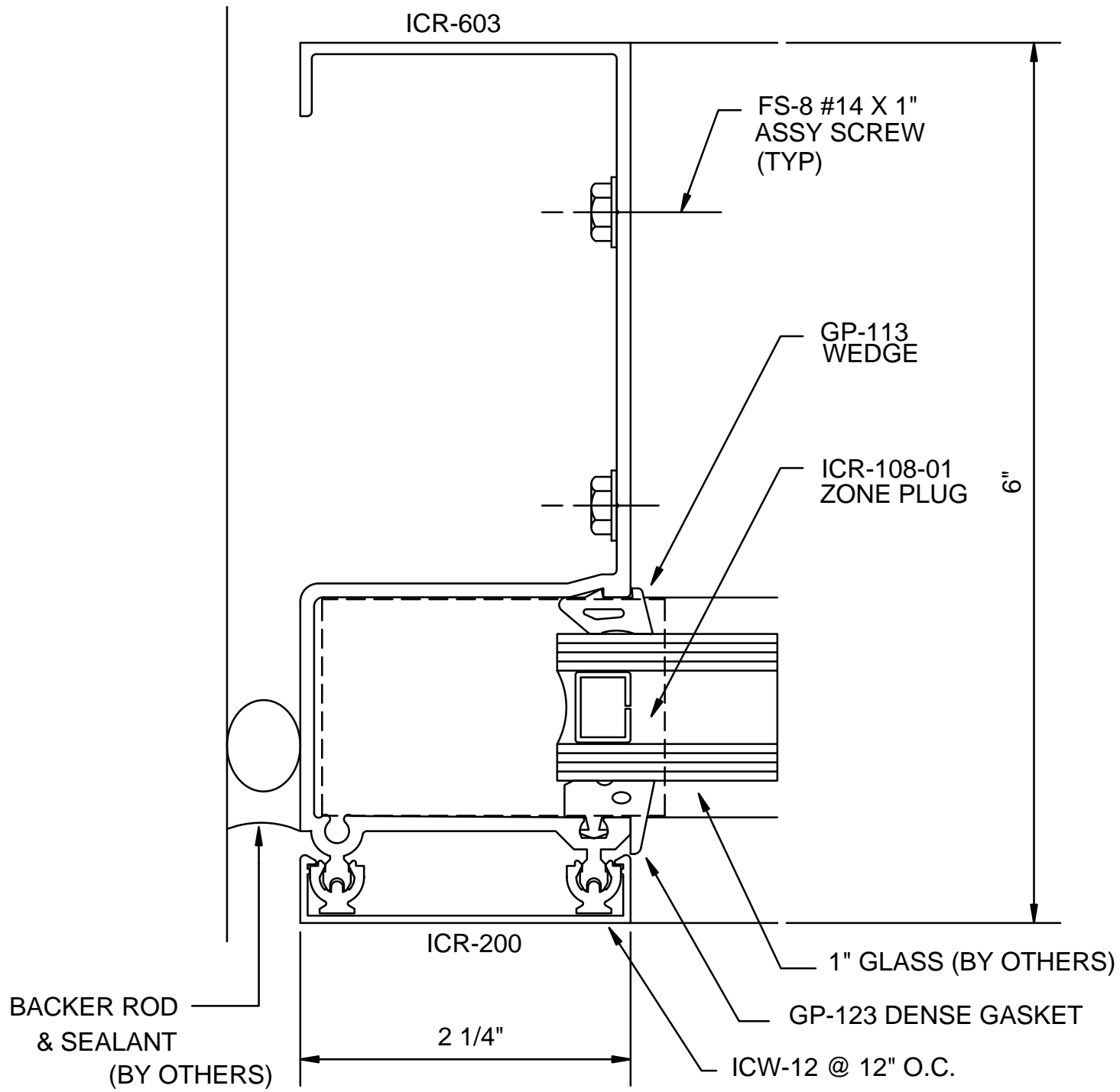


**ICR-225 - Window Wall - Intermediate Horizontal**

Oldcastle BuildingEnvelope™ - Terrell, Texas - 972-551-6100

**H8744**

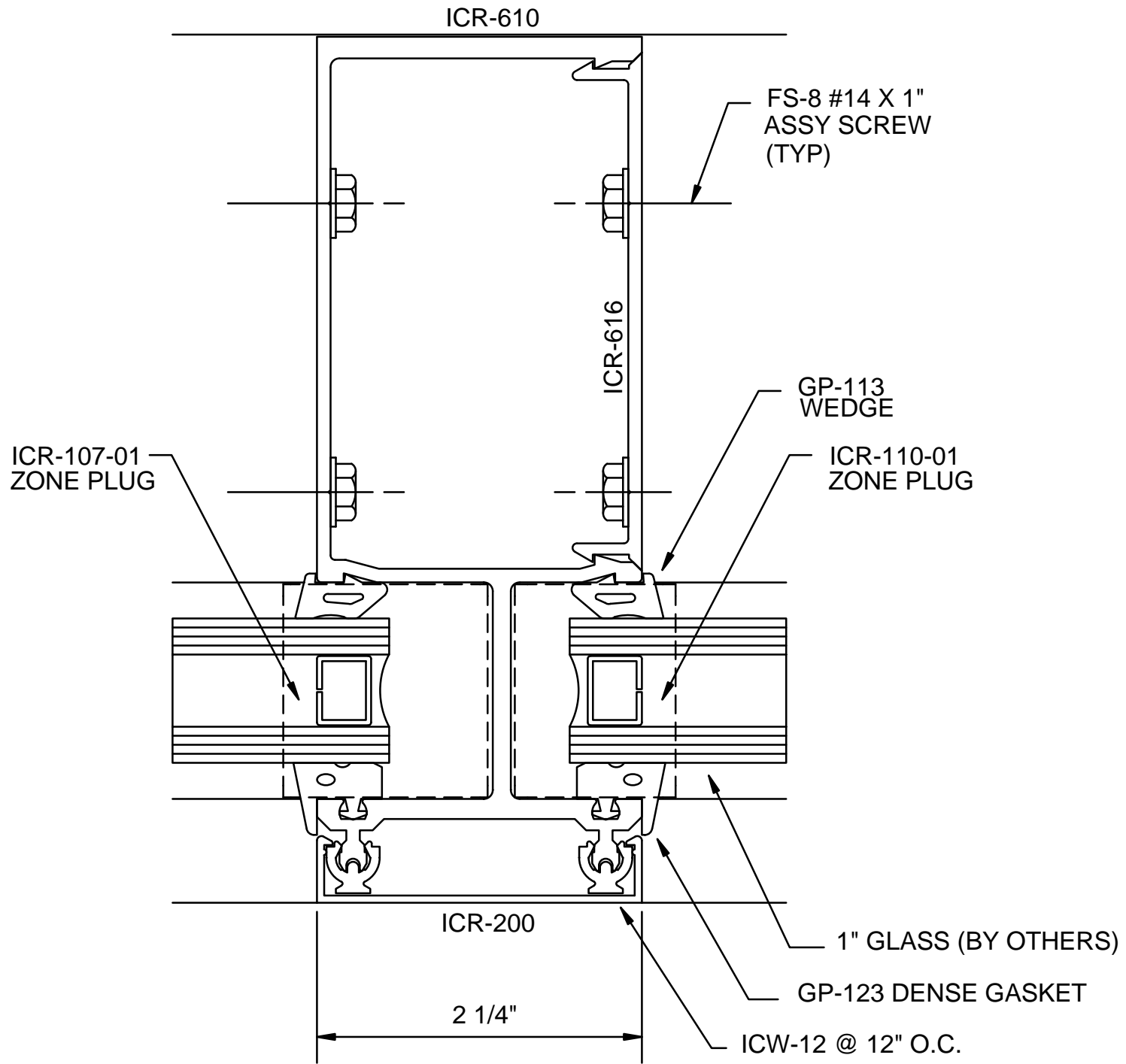




### ICR-225 - Window Wall - Jamb Vertical

Oldcastle BuildingEnvelope™ - Terrell, Texas - 972-551-6100

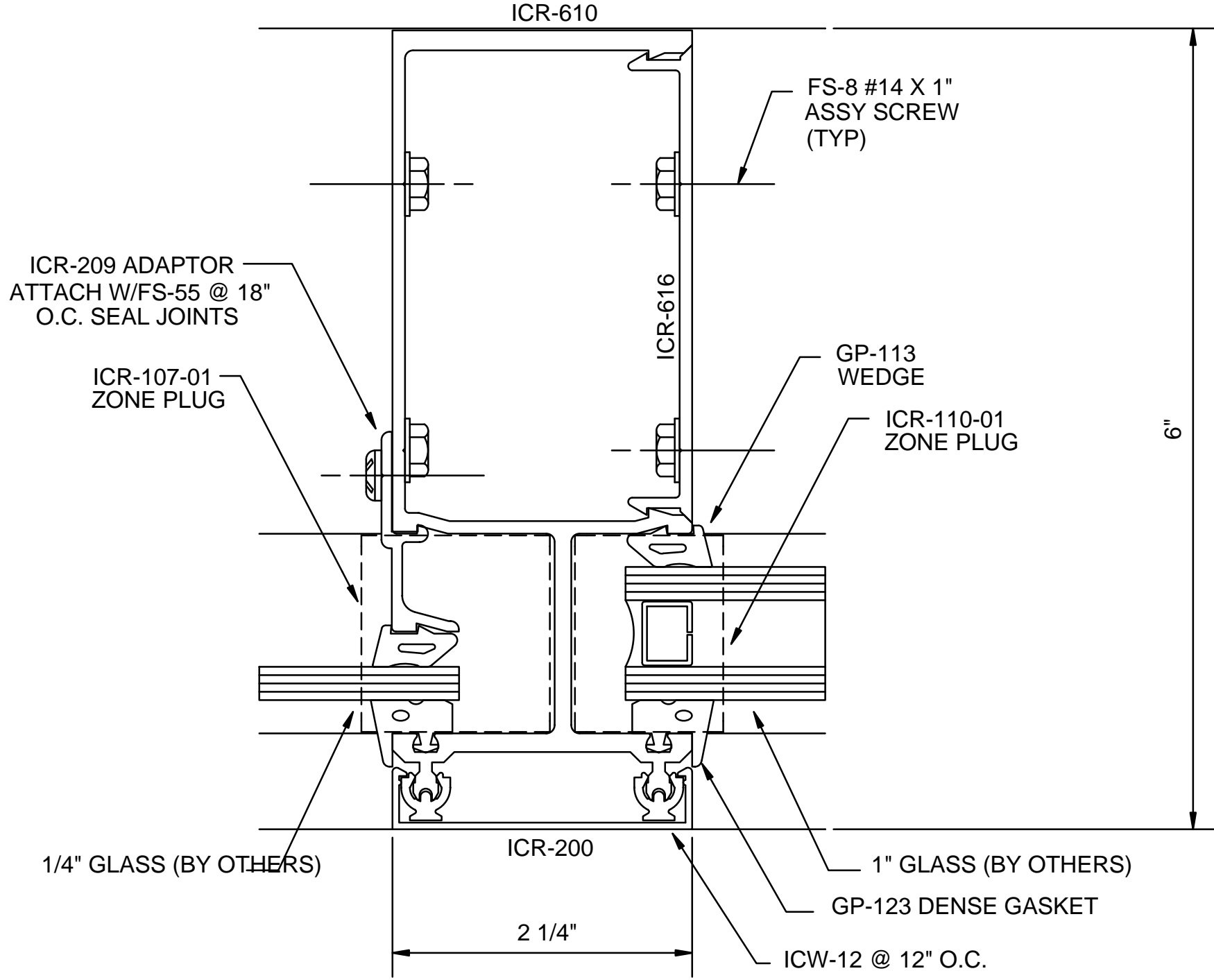
V8701



### ICR-225 - Window Wall - Vertical Mullion

Oldcastle BuildingEnvelope™ - Terrell, Texas - 972-551-6100

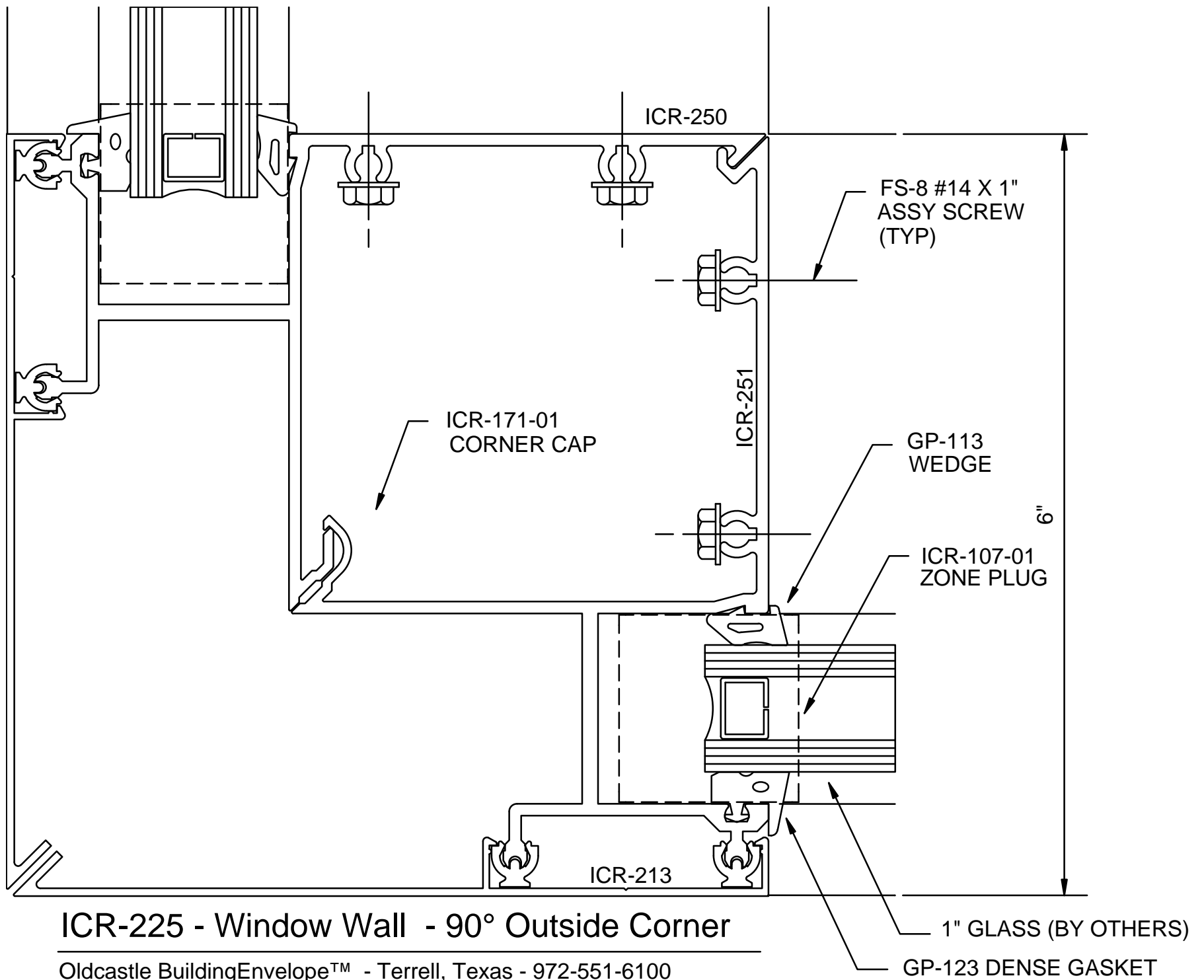
V8702



**ICR-225 - Window Wall - Vertical Mullion**

Oldcastle BuildingEnvelope™ - Terrell, Texas - 972-551-6100

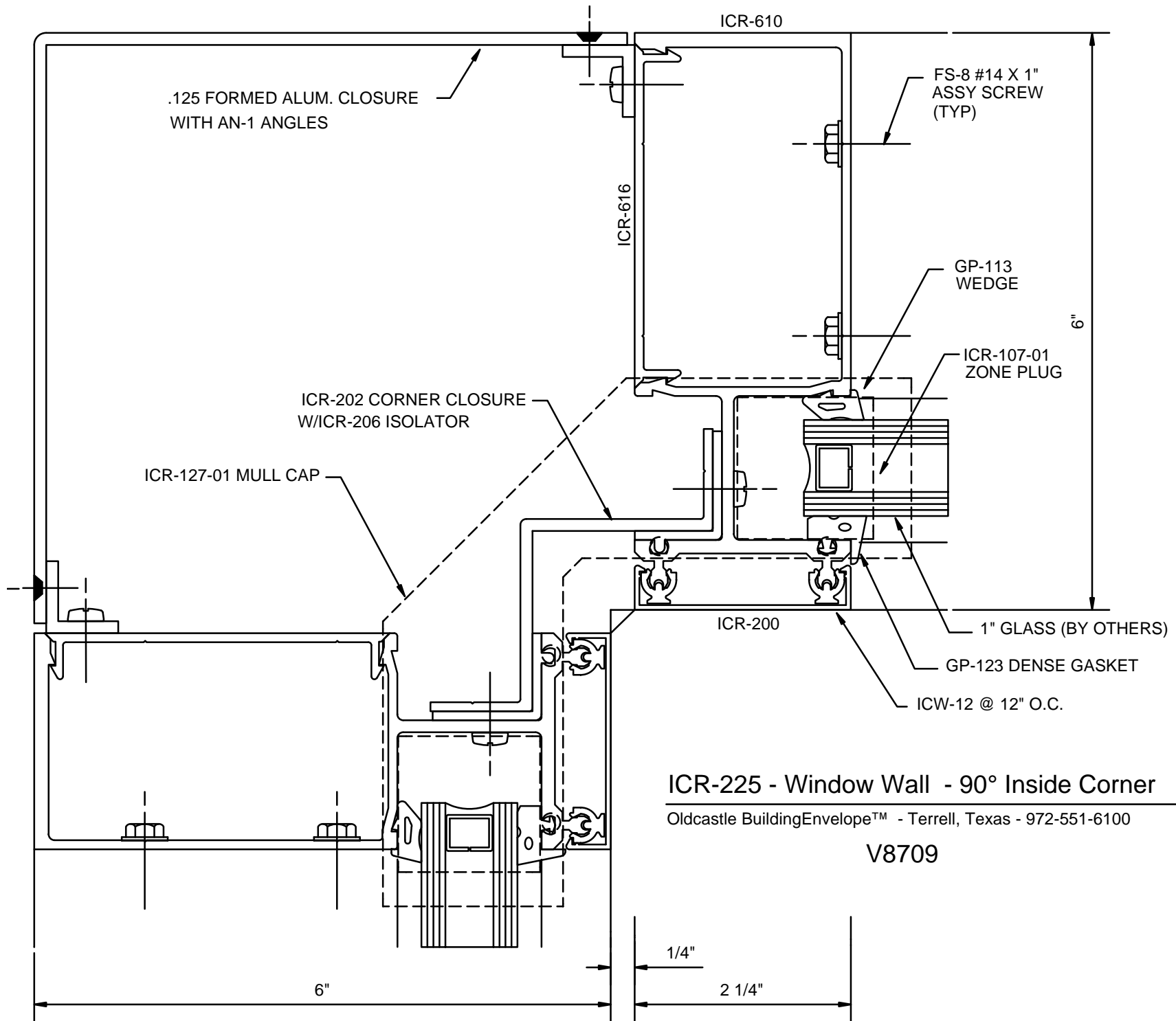
V8704



**ICR-225 - Window Wall - 90° Outside Corner**

Oldcastle BuildingEnvelope™ - Terrell, Texas - 972-551-6100

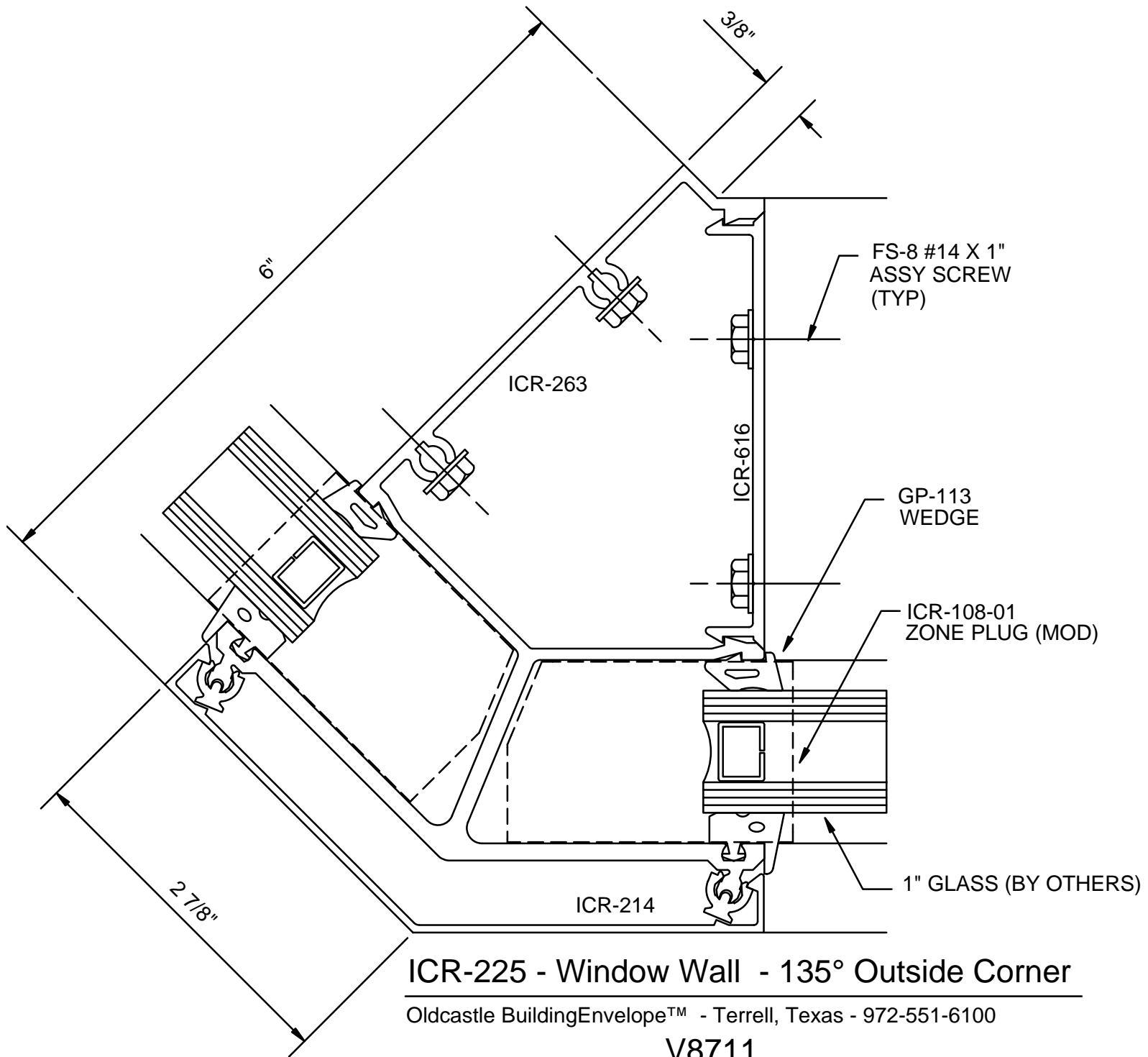
**V8708**

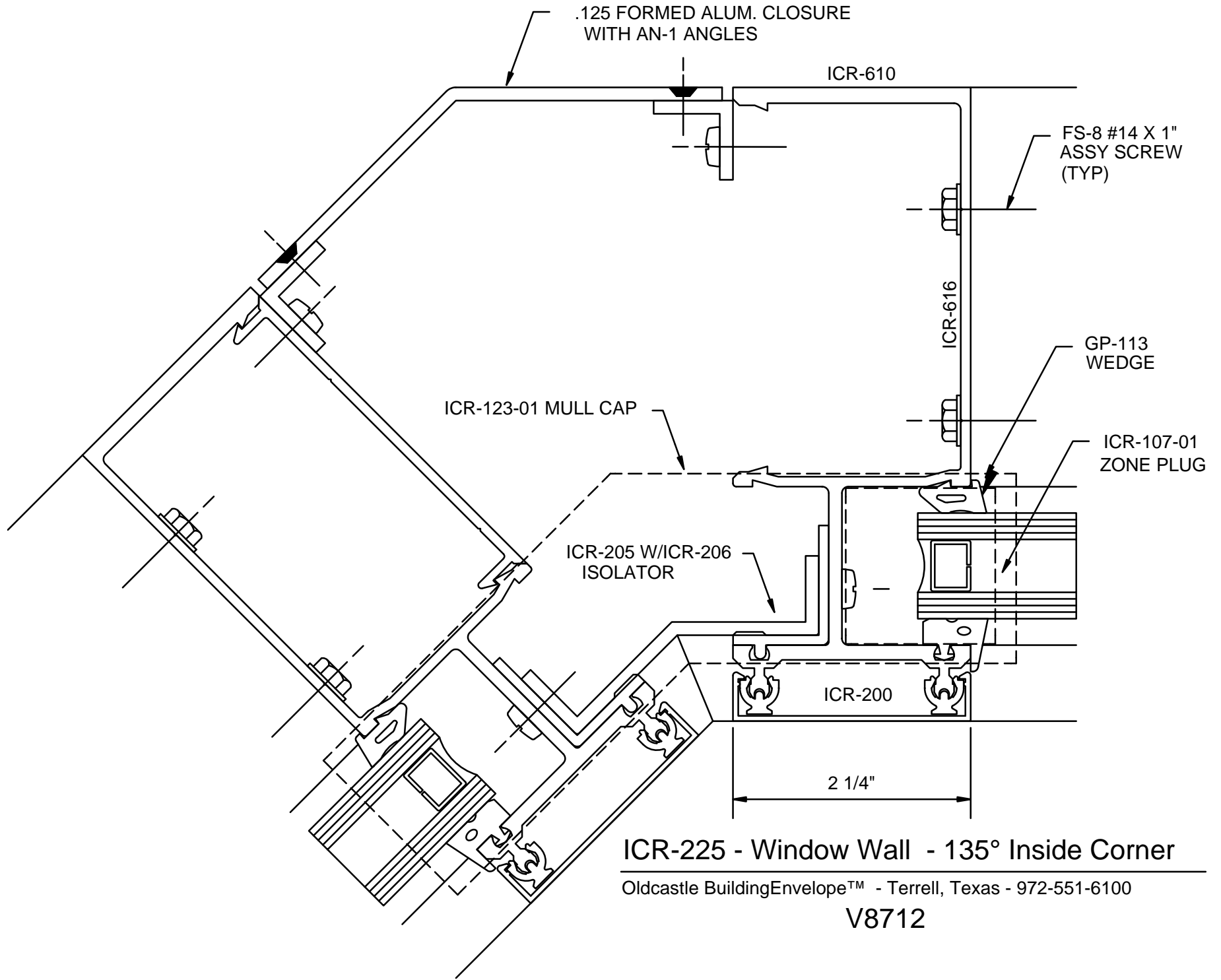


**ICR-225 - Window Wall - 90° Inside Corner**

Oldcastle BuildingEnvelope™ - Terrell, Texas - 972-551-6100

V8709

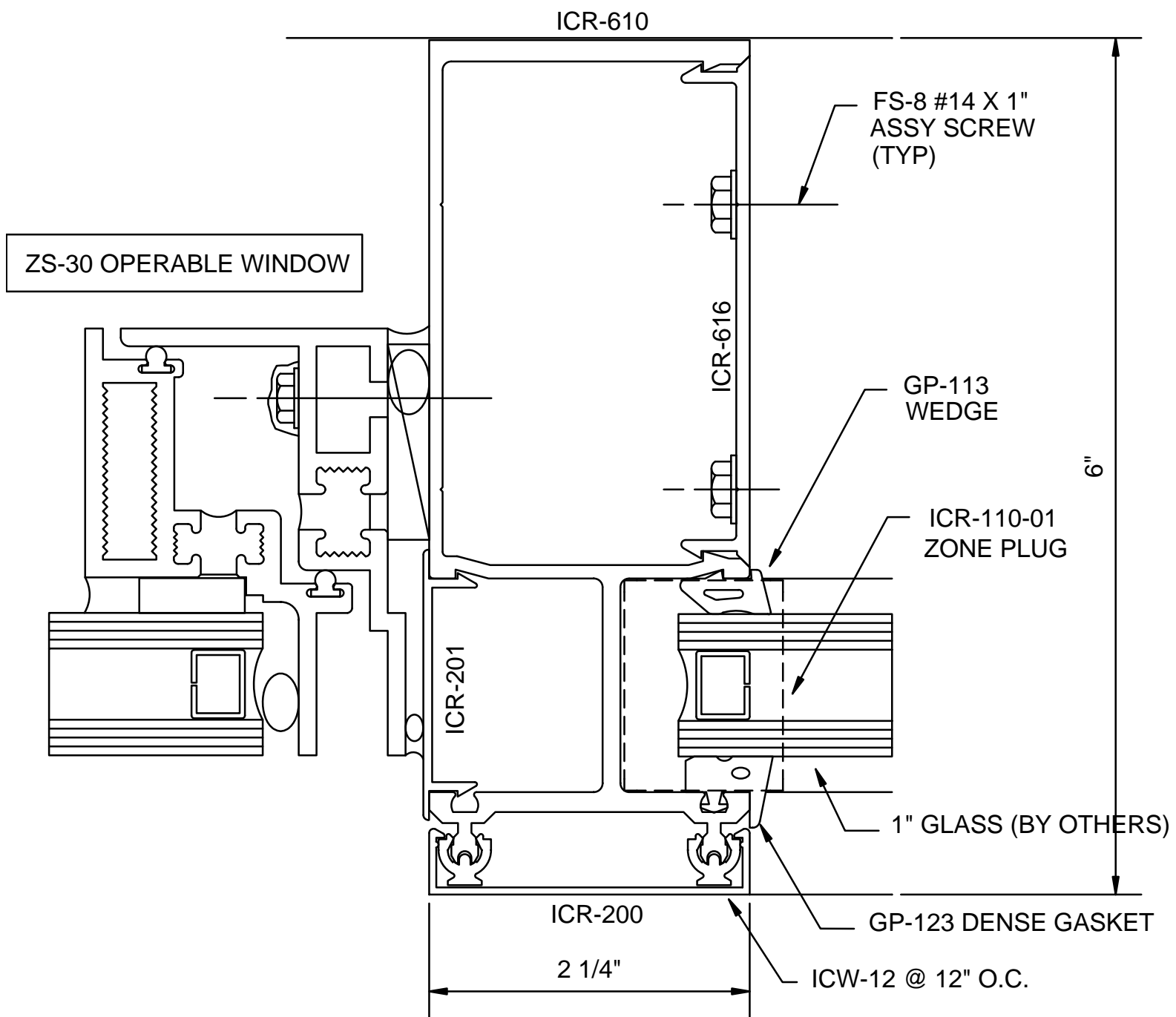




**ICR-225 - Window Wall - 135° Inside Corner**

Oldcastle BuildingEnvelope™ - Terrell, Texas - 972-551-6100

V8712

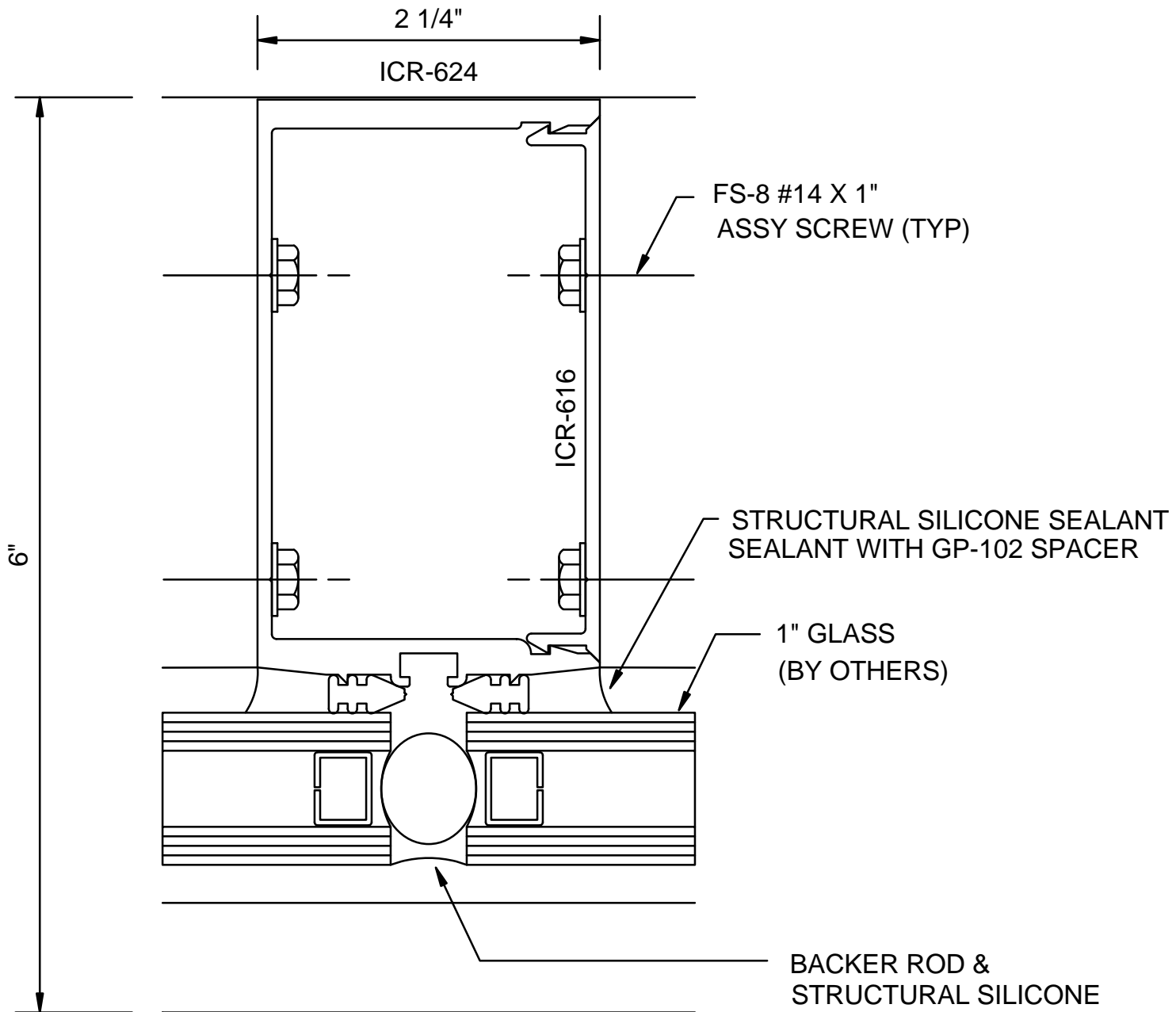


**ICR-225 - Window Wall - Vertical @ Operable Window**

Oldcastle BuildingEnvelope™ - Terrell, Texas - 972-551-6100

V8714

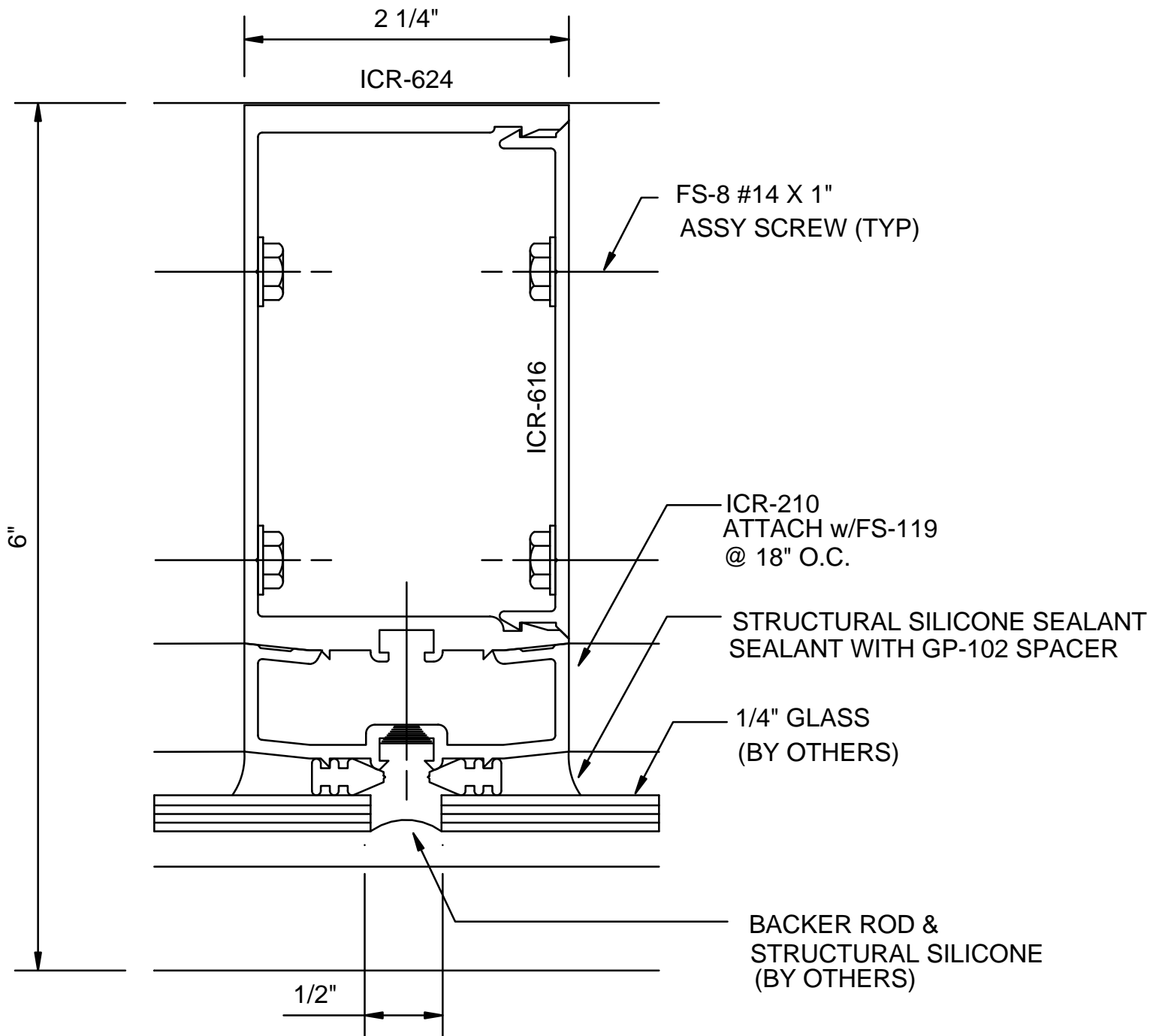




## ICR-225 - Window Wall - SSG Vertical Mullion

Oldcastle BuildingEnvelope™ - Terrell, Texas - 972-551-6100

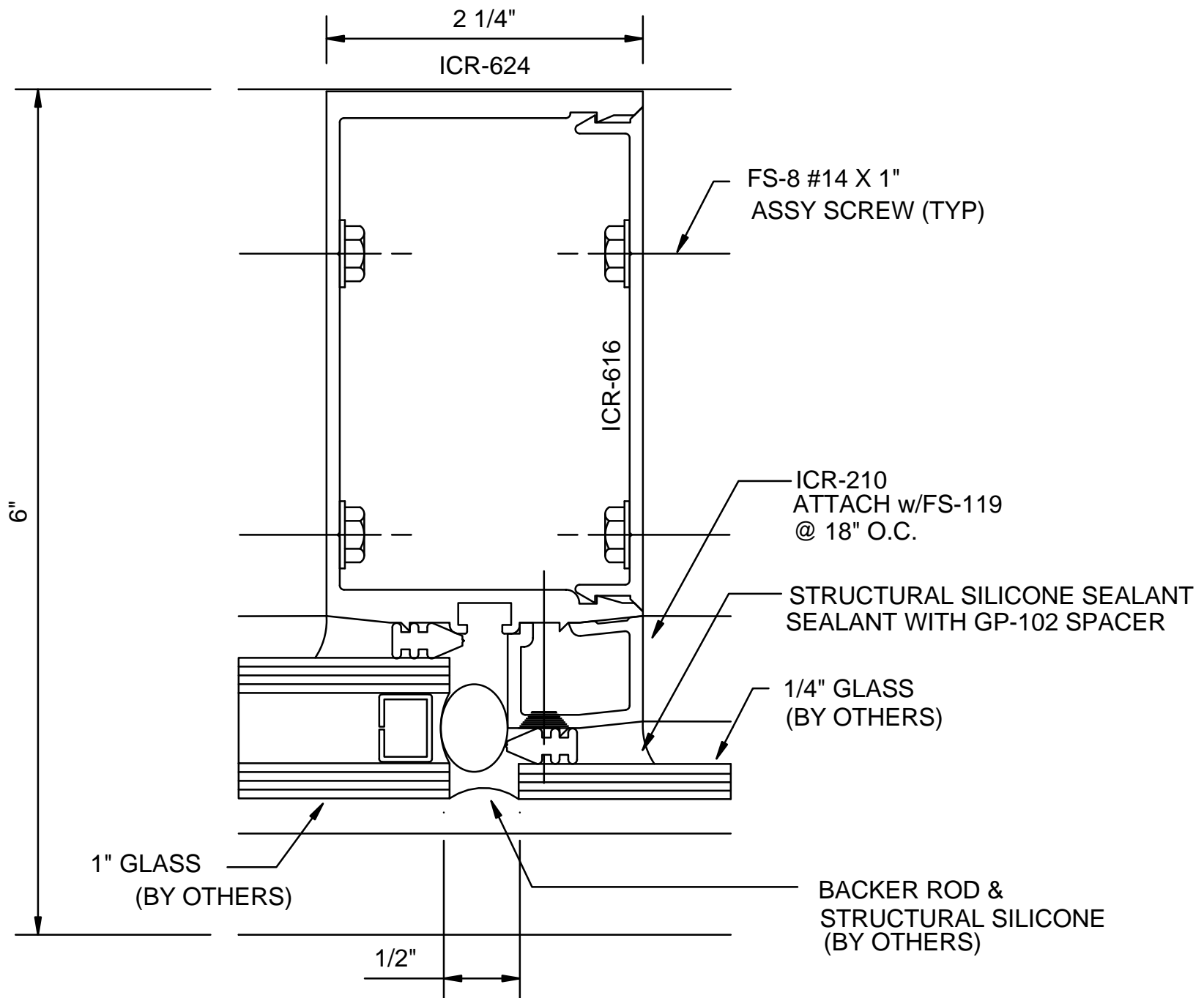
V8742



## ICR-225 - Window Wall - SSG Vertical Mullion

Oldcastle BuildingEnvelope™ - Terrell, Texas - 972-551-6100

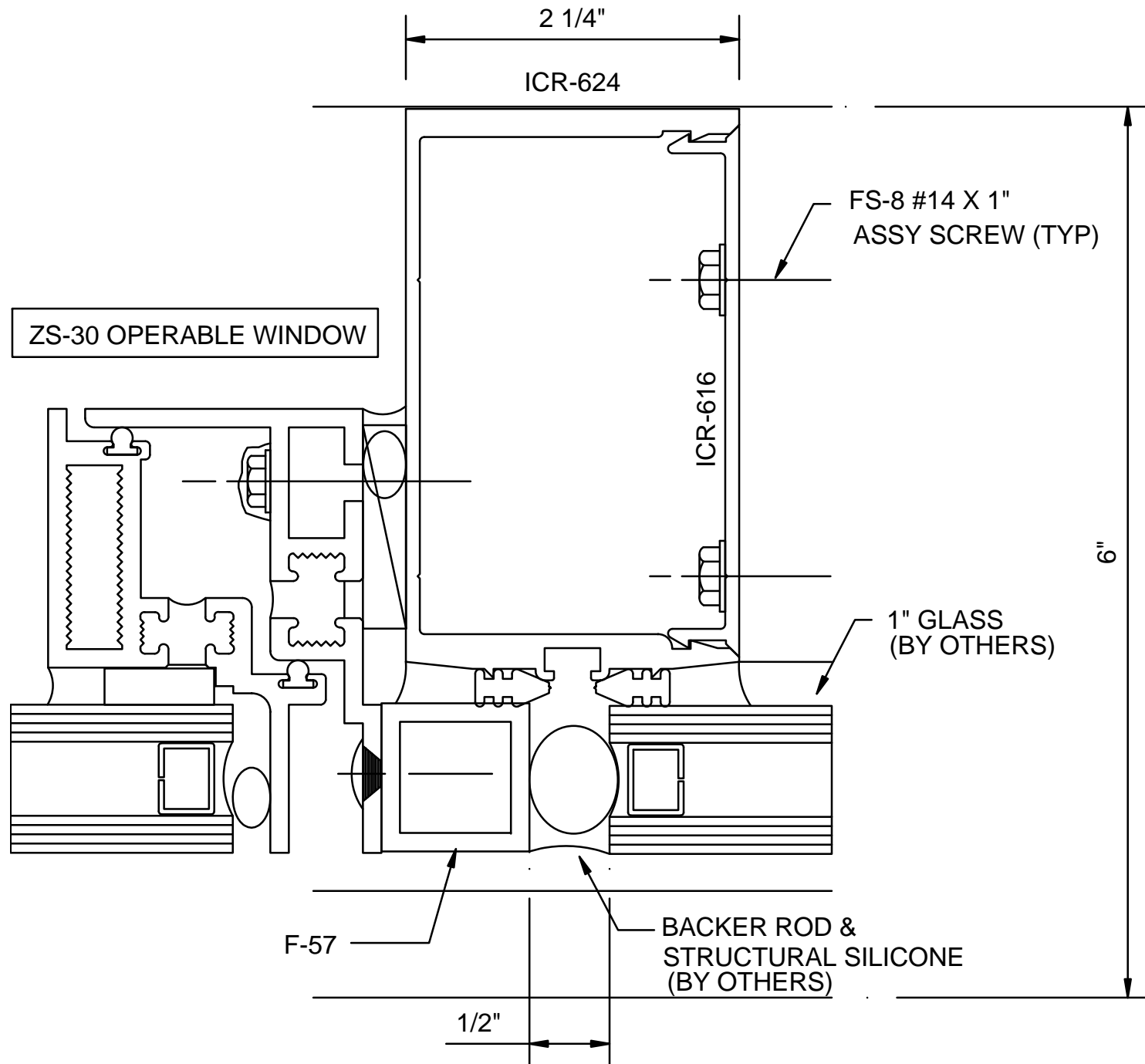
V8743



## ICR-225 - Window Wall - SSG Vertical Mullion

Oldcastle BuildingEnvelope™ - Terrell, Texas - 972-551-6100

V8744



ICR-225 - Window Wall - SSG Vertical @ Operable Window

Oldcastle BuildingEnvelope™ - Terrell, Texas - 972-551-6100

V8745